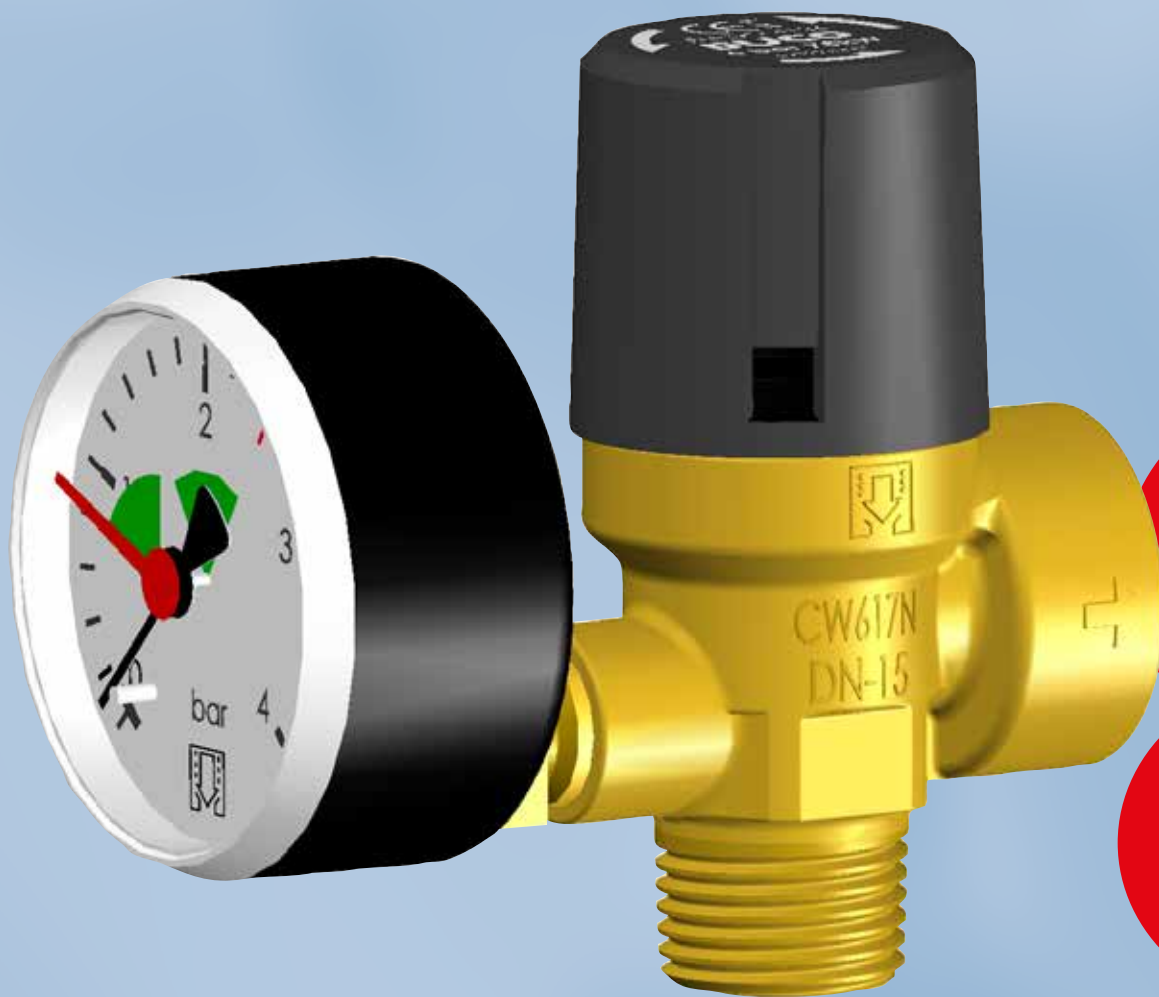


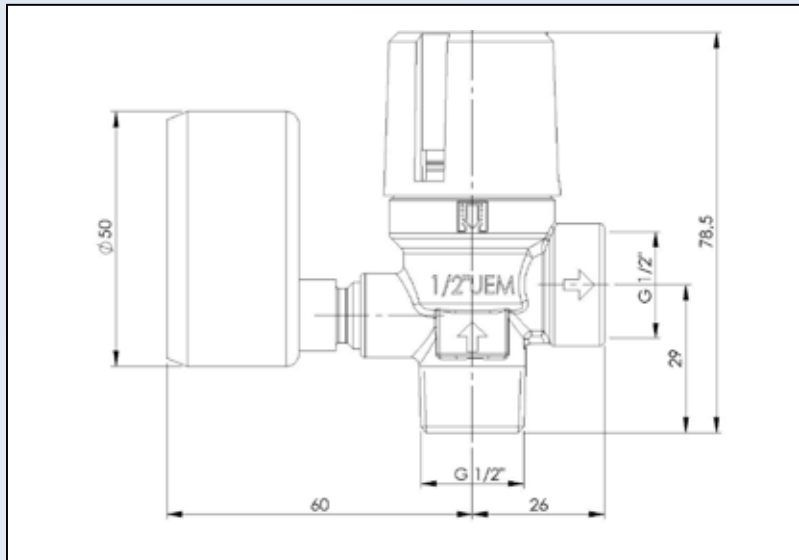
Safety Valves DN 15



WUOL



Safety Valves 1/2 x 1/2" KEM



Duco safety valves to protect closed heated and chilled water systems against excessive pressure.

Application

The safety valve has to be used in a closed heating or cooling system (glycol max. 50%) Only use the Duco valve in a dry and frostfree location.

Min / max. system temp.: -10°C / +120°C

Safety

Check whether the max. capacity and the opening pressure that are indicated on the valve match the values of the system.



All Duco valves meet the requirements of the Pressure Equipment Directive "Directive 97/23/EC - Module B/Module D" (Pressure Equipment Directive (PED) 97/23/EC). The quality system also complies with the NEN-EN-ISO 9001:2008 standard.

NORM: NEN-EN-ISO 4126-1

<i>Code</i>	<i>Set pressure (bar)</i>	<i>Heating capacity (kW)</i>
1025-0-05-11	0,5	48
1025-0-11-11	1	64
1025-0-14-11	2	93
1025-0-15-11	2,5	107
1025-0-16-11	3	120

PenTec bv
Edisonweg 7
3442 AC Woerden
The Netherlands

Tel. +31 (0)182 503 100
E-mail info@pentecbv.nl
Internet www.duco.nl
www.pentecbv.nl

