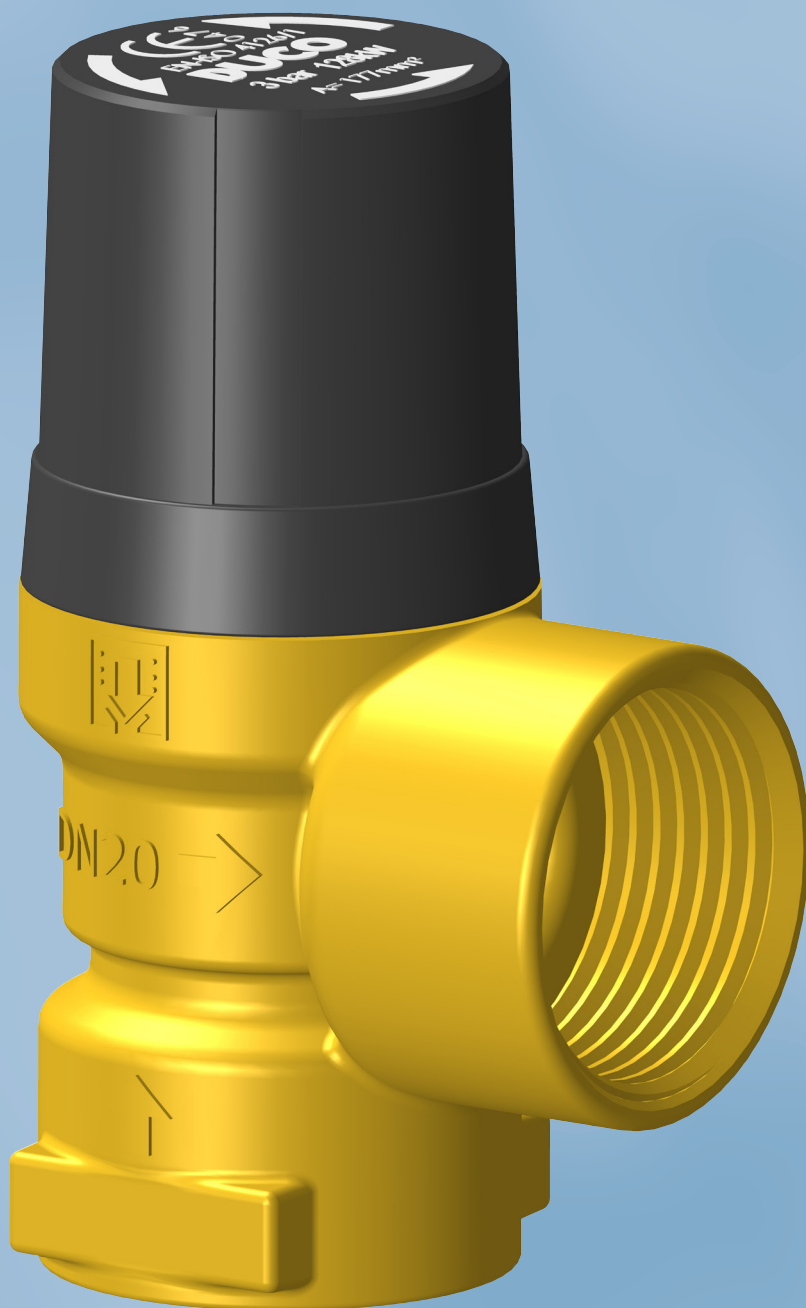


# Safety Valves DN20

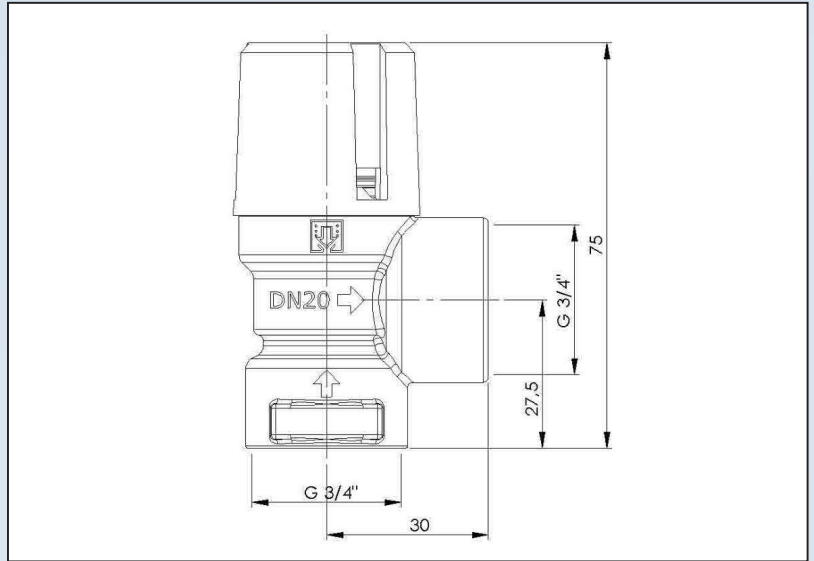
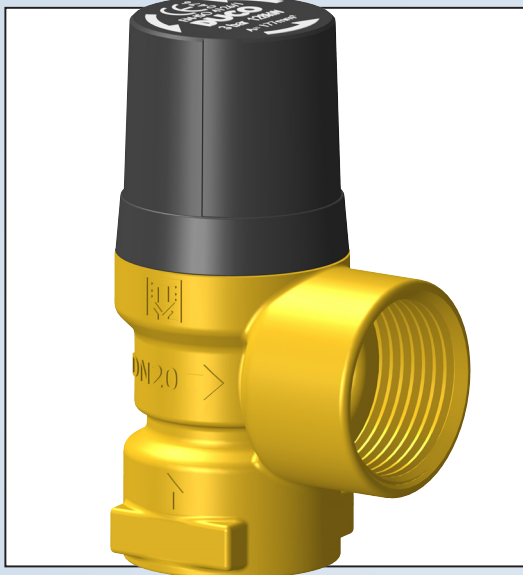
---



**OSU**



# Safety Valves $\frac{3}{4}$ x $\frac{3}{4}$ " K



Duco safety valves to protect closed heated and chilled water systems against excessive pressure.

## Application

The safety valve has to be used in a closed heating or cooling system (glycol max. 50%) Only use the Duco valve in a dry and frostfree location.

Min / max. system temp.: -10°C / +120°C

## Safety

Check whether the max. capacity and the opening pressure that are indicated on the valve match the values of the system.



All Duco safety valves meet the requirements of the Pressure Equipment Directive (PED)

"Directive 2014/68/EU Module B/Module D"

The quality system also complies with the NEN-EN-ISO 9001

NORM: NEN-EN-ISO 4126-1

Code	Set pressure (bar)	Heating capacity (kW)
1100-0-01-11	0,5	51
1100-0-02-11	1	68
1100-0-04-11	2	99
1100-0-05-11	2,5	114
1100-0-06-11	3	128
1100-0-08-11	4	157
1100-0-10-11	5	186
1100-0-16-11	6	213
1100-0-17-11	7	241
1100-0-18-11	8	268
1100-0-19-11	9	296
1100-0-20-11	10	321

PenTec bv  
Edisonweg 7  
3442 AC Woerden  
The Netherlands

Tel. +31 (0)182 503 100  
E-mail info@pentecbv.nl  
Internet www.duco.nl  
www.pentecbv.nl

