

# Safety Valves DN25



**DUCO**

# Safety Valves 1 x 1¼" K

Duco safety valves to protect closed heated and chilled water systems against excessive pressure.

## Application

The safety valve has to be used in a closed heating or cooling system (glycol max. 50%) Only use the Duco valve in a dry and frostfree location.

Min / max. system temp.: -10°C / +120°C

## Safety

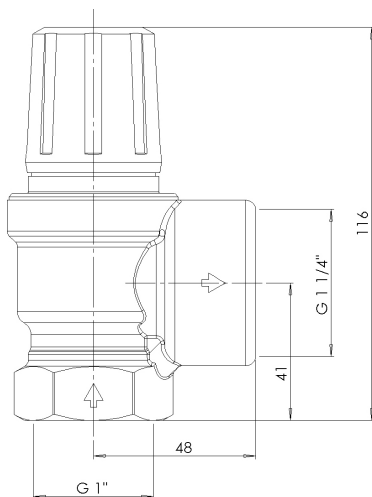
Check whether the max. capacity and the opening pressure that are indicated on the valve match the values of the system.

All Duco safety valves meet the requirements of the Pressure Equipment Directive (PED)

"Directive 2014/68/EU Module B/Module D"

The quality system also complies with the NEN-EN-ISO 9001

NORM: NEN-EN-ISO 4126-1



## Safety Valves DN25

Article number	Set pressure bar	Heating capacity kW
1140-0-05-11	0,5	141
1140-0-10-11	1	188
1140-0-20-11	2	273
1140-0-25-11	2,5	315
1140-0-30-11	3	354
1140-0-40-11	4	436
1140-0-50-11	5	515
1140-0-60-11	6	591
1140-0-70-11	7	667
1140-80-11	8	743
1140-0-90-11	9	818
1140-0-99-11	10	889



# PUCO

PenTec bv  
Edisonweg 7  
3442 AC Woerden  
The Netherlands

Tel. +31 (0)182 503 100  
E-mail info@pentecbv.nl  
Internet www.duco.nl  
www.pentecbv.nl