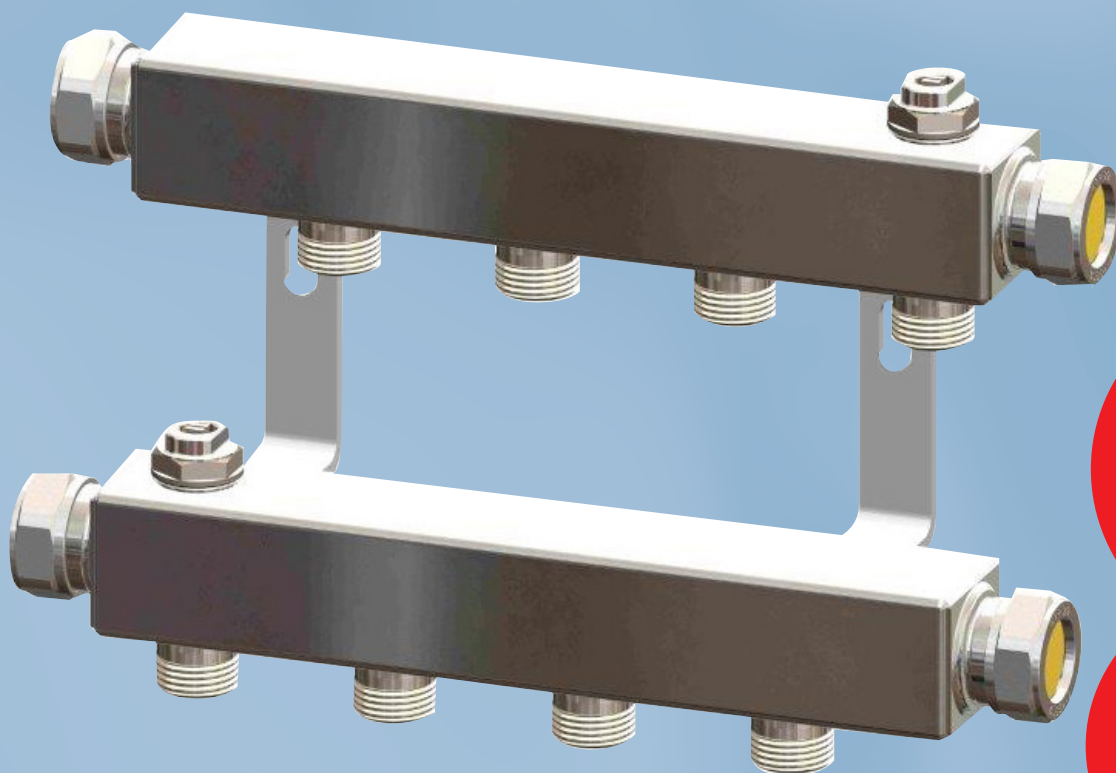


Radiator Distribution Manifold

M22 - M24 - 3/4 EC

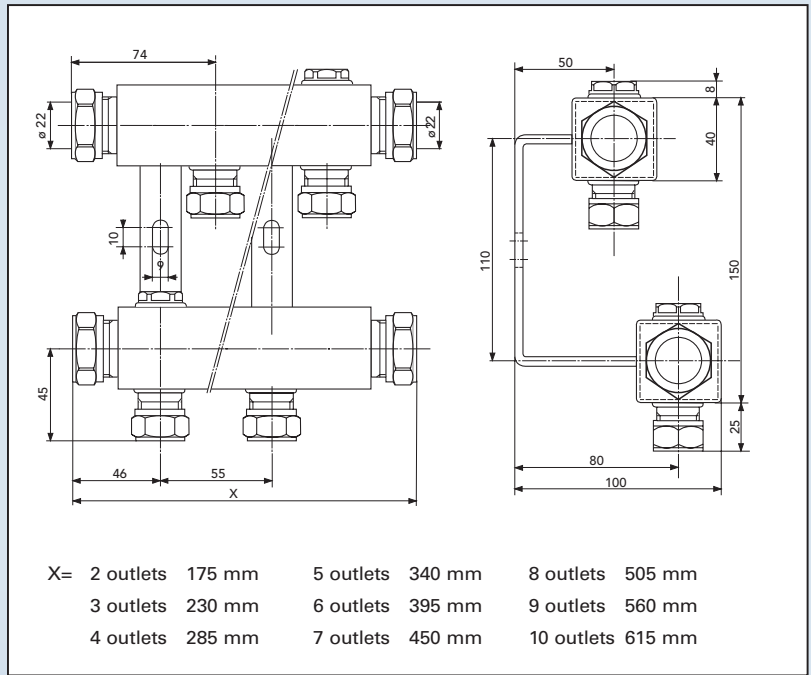
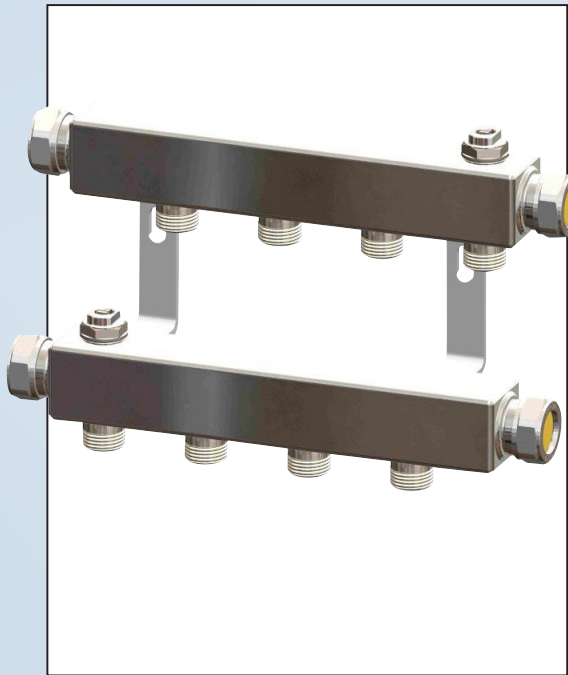


OROS



Radiator Distribution Manifold

M22 - M24 - 3/4 EC

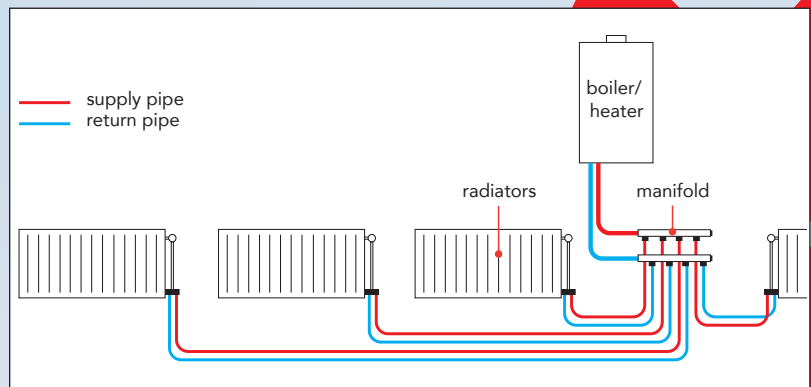


Steel galvanised manifold for central heating (radiator) systems. Connections M22, M24 or 3/4 euroconus (connectors made out of brass).

Available from 2 x 2 outlets until 2 x 10 outlets (supply-return).

2 Airvents are mounted on top and on both sides of the manifold there is a 22 mm compression connection including 2 blindcaps mounted on 1 side of the manifold.

Codes	M22	M24	3/4 EC
2 x 2 outlets	1802-7-44-01	1802-7-25-01	1802-7-60-01
3 x 2 outlets	1803-7-44-01	1803-7-25-01	1803-7-60-01
4 x 2 outlets	1804-7-44-01	1804-7-25-01	1804-7-60-01
5 x 2 outlets	1805-7-44-01	1805-7-25-01	1805-7-60-01
6 x 2 outlets	1806-7-44-01	1806-7-25-01	1806-7-60-01
7 x 2 outlets	1807-7-44-01	1807-7-25-01	1807-7-60-01
8 x 2 outlets	1808-7-44-01	1808-7-25-01	1808-7-60-01
9 x 2 outlets	1809-7-44-01	1809-7-25-01	1809-7-60-01
10 x 2 outlets	1810-7-44-01	1810-7-25-01	1810-7-60-01



PenTec bv
Edisonweg 7
3442 AC Woerden
The Netherlands

Tel. +31 (0)182 503 100
E-mail info@pentecbv.nl
Internet www.duco.nl
www.pentecbv.nl