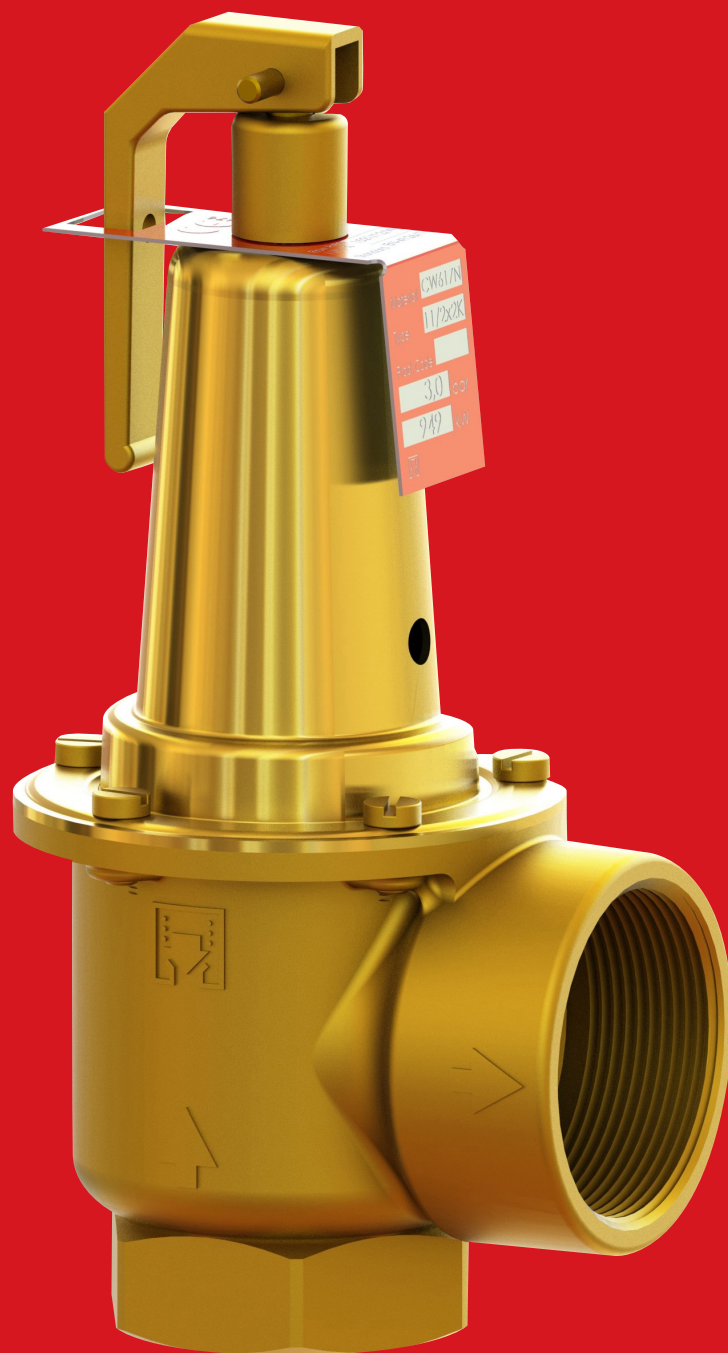


# Safety Valves DN32



**DUCO**

# Safety Valves 1¼ x 1½" K

Duco safety valves to protect closed heated and chilled water systems against excessive pressure.

## Application

The safety valve has to be used in a closed heating or cooling system (glycol max. 50%) Only use the Duco valve in a dry and frostfree location.

Min / max. system temp.: -10°C / +120°C

## Safety

Check whether the max. capacity and the opening pressure that are indicated on the valve match the values of the system.

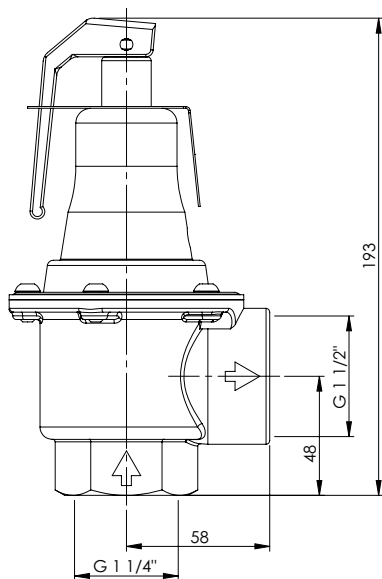
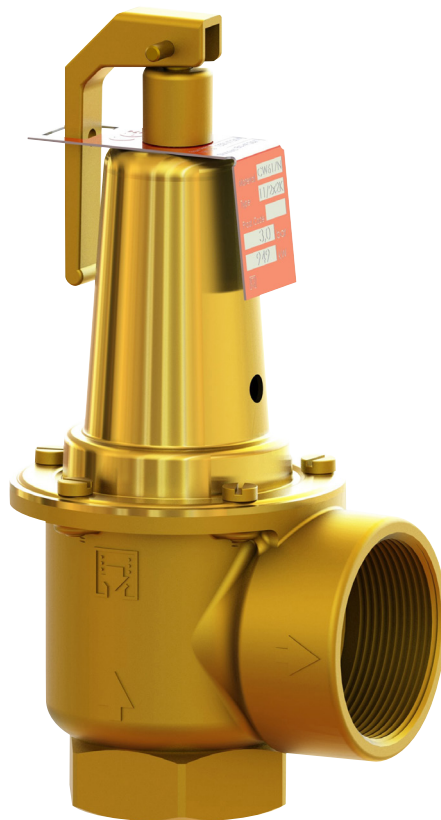
All Duco safety valves meet the requirements of the Pressure Equipment Directive (PED)

"Directive 2014/68/EU Module B/Module D"

The quality system also complies with the

NEN-EN-ISO 9001

NORM: NEN-EN-ISO 4126-1



## Safety Valves DN32

Article number	Set pressure bar	Heating capacity kW
1145-0-05-11	0,5	290
1145-0-10-11	1	388
1145-0-20-11	2	562
1145-0-25-11	2,5	649
1145-0-30-11	3	729
1145-0-40-11	4	898
1145-0-50-11	5	1060
1145-0-60-11	6	1216
1145-0-70-11	7	1372
1145-0-80-11	8	1529
1145-0-90-11	9	1685
1145-0-99-11	10	1830



# PUCO

PenTec bv  
Edisonweg 7  
3442 AC Woerden  
The Netherlands

Tel. +31 (0)182 503 100  
E-mail info@pentecbv.nl  
Internet www.duco.nl  
www.pentecbv.nl