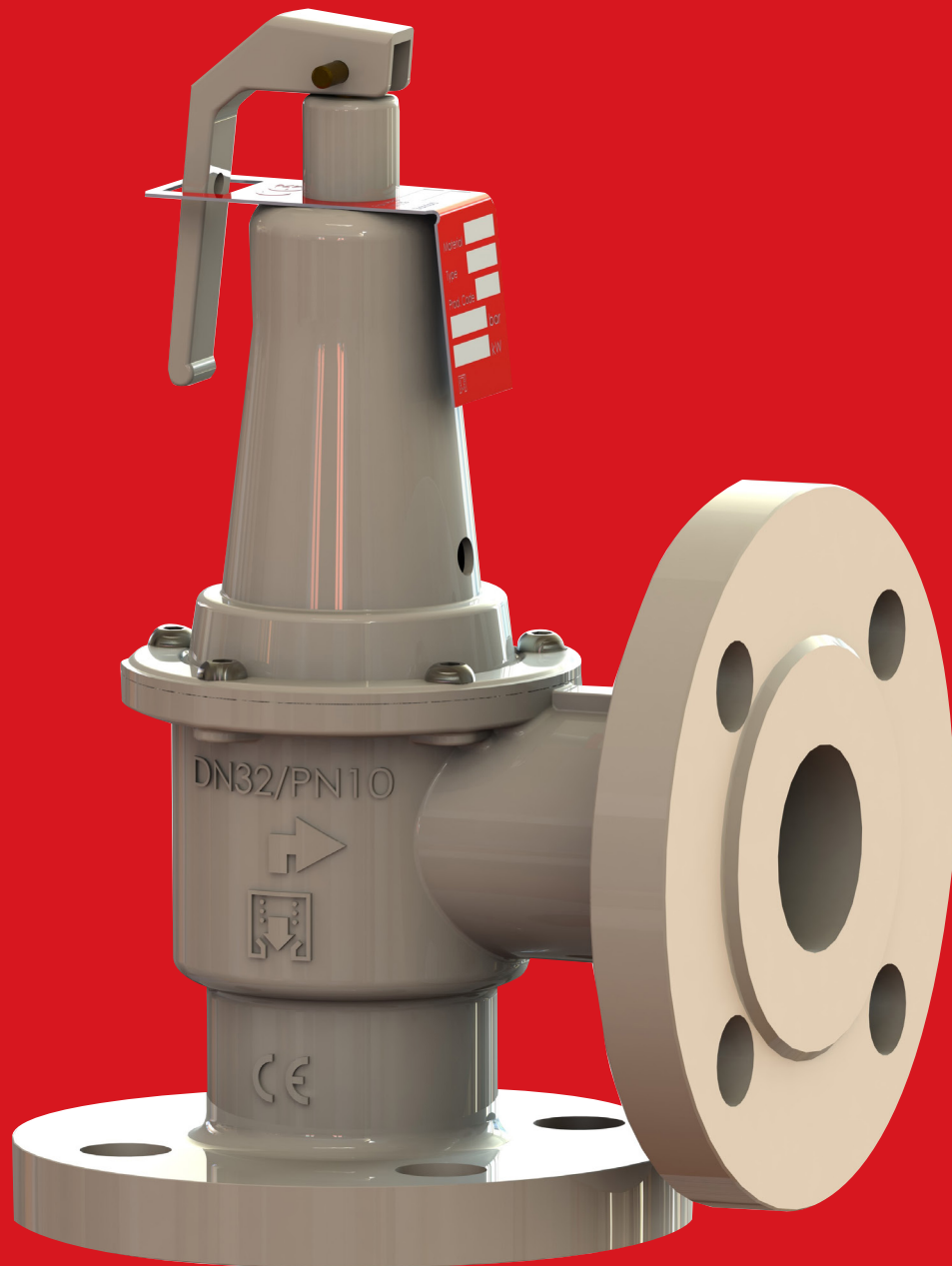


Safety Valves DN32 x DN40



DUCO

Safety Valves DN32 x DN40

Duco safety valves to protect closed heated and chilled water systems against excessive pressure.

Application

The safety valve has to be used in a closed heating or cooling system (glycol max. 50%) Only use the Duco valve in a dry and frostfree location.

Min / max. system temp.: -10°C / +120°C

Safety

Check whether the max. capacity and the opening pressure that are indicated on the valve match the values of the system.

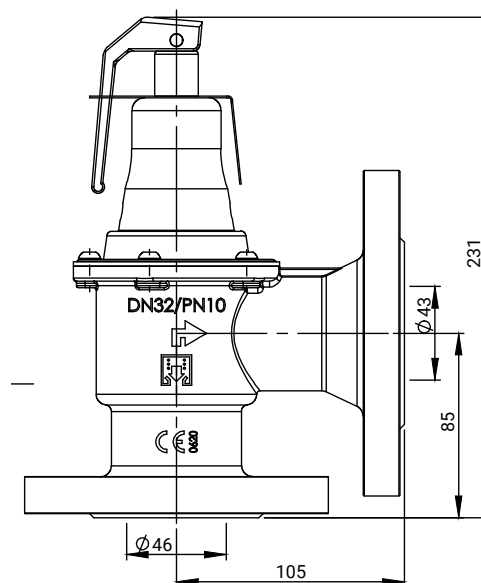
All Duco safety valves meet the requirements of the Pressure Equipment Directive (PED)

"Directive 2014/68/EU Module B/Module D"

The quality system also complies with the

NEN-EN-ISO 9001

NORM: NEN-EN-ISO 4126-1



Safety Valves DN32 x DN40

Article number	Set pressure bar	Heating capacity kW
1160-0-01-11	0,5	220
1160-0-02-11	1	295
1160-0-04-11	2	430
1160-0-05-11	2,5	495
1160-0-06-11	3	555
1160-0-08-11	4	685
1160-0-10-11	5	810
1160-0-16-11	6	930
1160-0-17-11	7	1050
1160-0-18-11	8	1165
1160-0-19-11	9	1285
1160-0-20-11	10	1395



PUCO

PenTec bv
Edisonweg 7
3442 AC Woerden
The Netherlands

Tel. +31 (0)182 503 100
E-mail info@pentecbv.nl
Internet www.duco.nl
www.pentecbv.nl