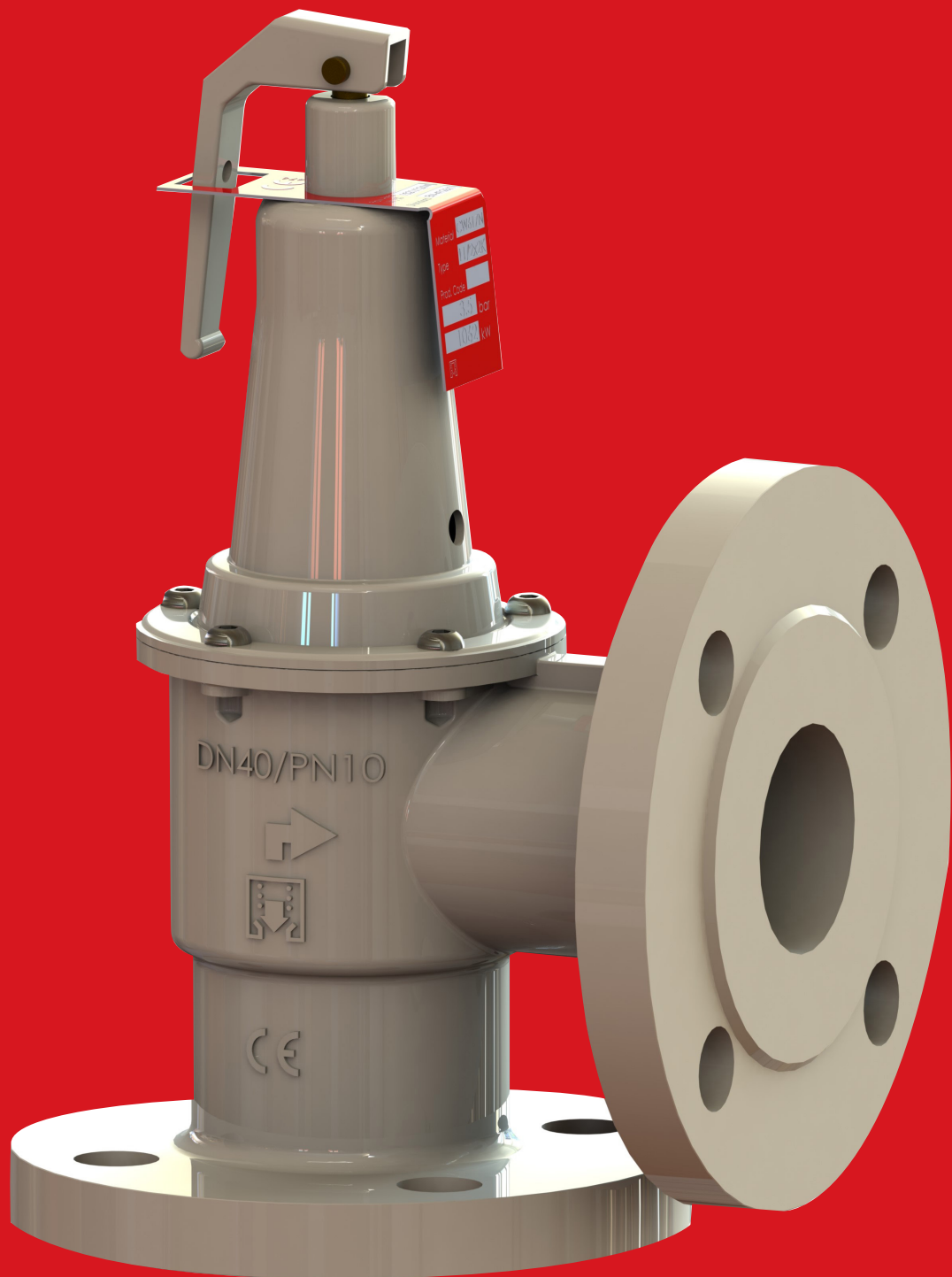


# Safety Valves DN40 x DN50



**PUCO**

# Safety Valves DN40 x DN50

**Duco safety valves to protect closed heated and chilled water systems against excessive pressure.**

## Application

The safety valve has to be used in a closed heating or cooling system (glycol max. 50%) Only use the Duco valve in a dry and frostfree location.

Min / max. system temp.: -10°C / +120°C

## Safety

Check whether the max. capacity and the opening pressure that are indicated on the valve match the values of the system.

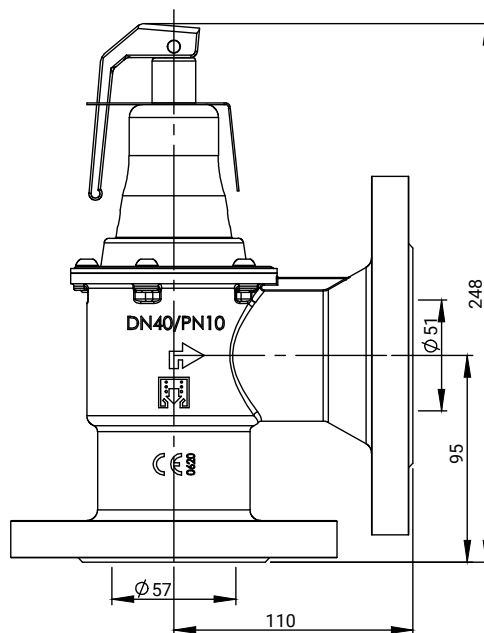
All Duco safety valves meet the requirements of the Pressure Equipment Directive (PED)

“Directive 2014/68/EU Module B/Module D”

The quality system also complies with the

NEN-EN-ISO 9001

NORM: NEN-EN-ISO 4126-1



## Safety Valves DN40 x DN50

Article number	Set pressure bar	Heating capacity kW
1160-0-01-11	0,5	310
1160-0-02-11	1	410
1160-0-04-11	2	590
1160-0-05-11	2,5	685
1160-0-06-11	3	770
1160-0-08-11	4	945
1160-0-10-11	5	1120
1160-0-16-11	6	1285
1160-0-17-11	7	1450
1160-0-18-11	8	1615
1160-0-19-11	9	1775
1160-0-20-11	10	1930



# PUCO

PenTec bv  
Edisonweg 7  
3442 AC Woerden  
The Netherlands

Tel. +31 (0)182 503 100  
E-mail info@pentecbv.nl  
Internet www.duco.nl  
www.pentecbv.nl