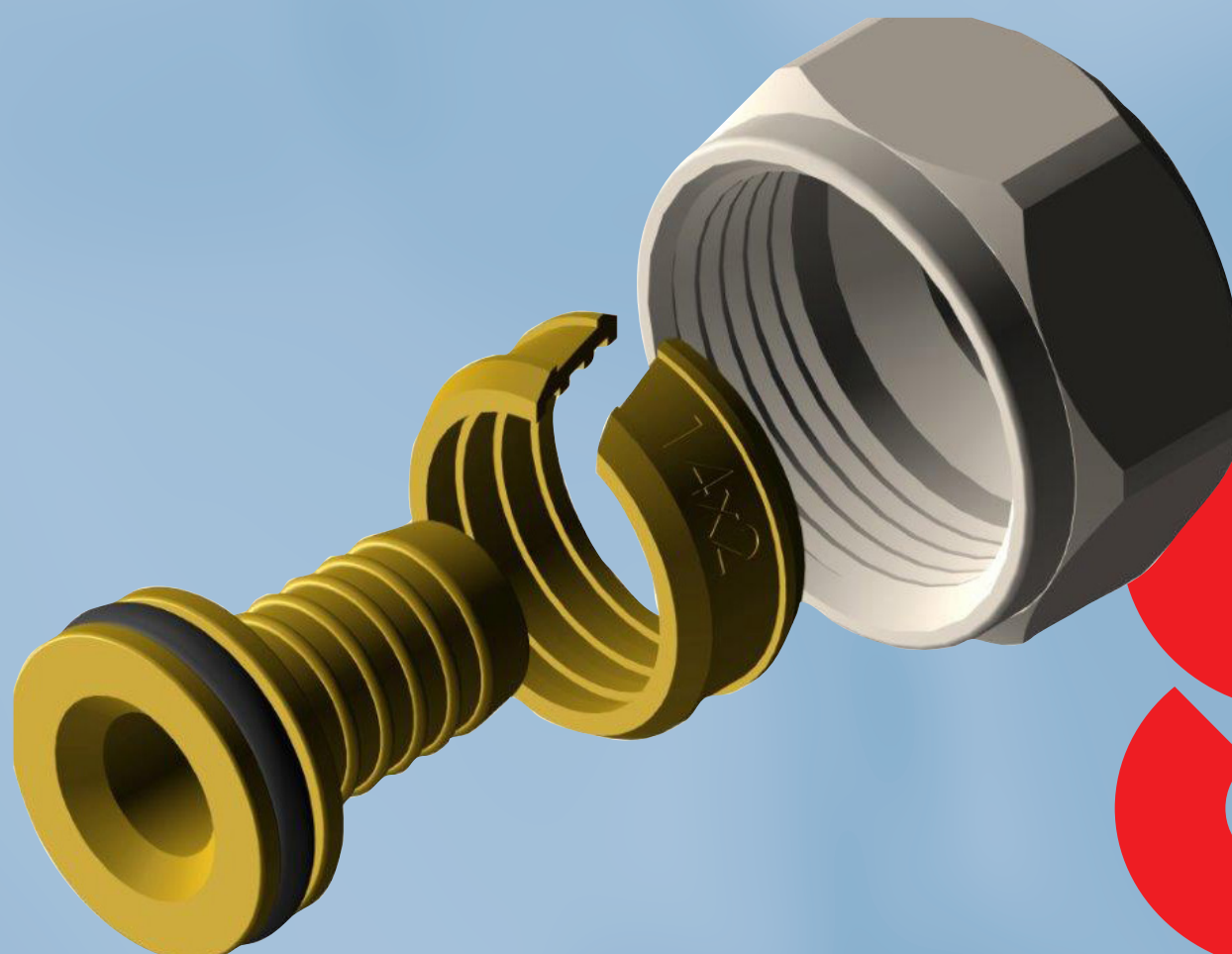


Compression Fitting Pex pipe 14x2 / 16x2

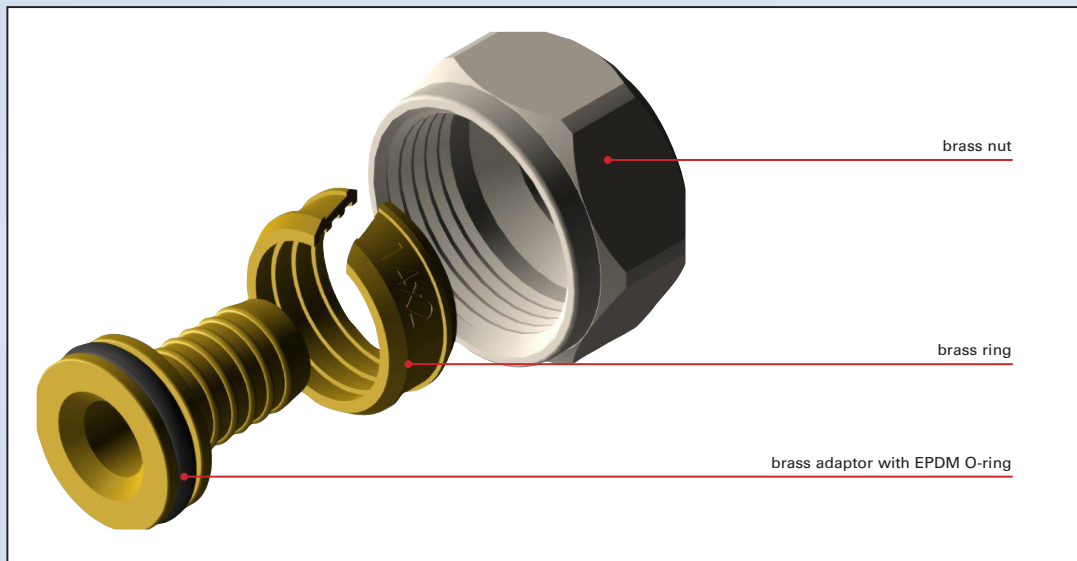


**COOL
D
E**



Compression Fitting M22

Pex pipe 14x2 / 16x2



Compression fittings are used in plumbing and heating systems to connect plastic pipes (Pex or Alu-pex) on manifolds or radiator valves. The compression fittings consist of a brass nut, brass ring and brass adaptor.

Code

1450-1-65-21	Pex pipe 14 x 2
1450-1-66-21	Pex pipe 16 x 2

Max. working pressure: 10 bar
Temperature range: 0 - 95°C



PenTec bv
Edisonweg 7
3442 AC Woerden
The Netherlands

Tel. +31 (0)182 503 100
E-mail info@pentecbv.nl
Internet www.duco.nl
www.pentecbv.nl

