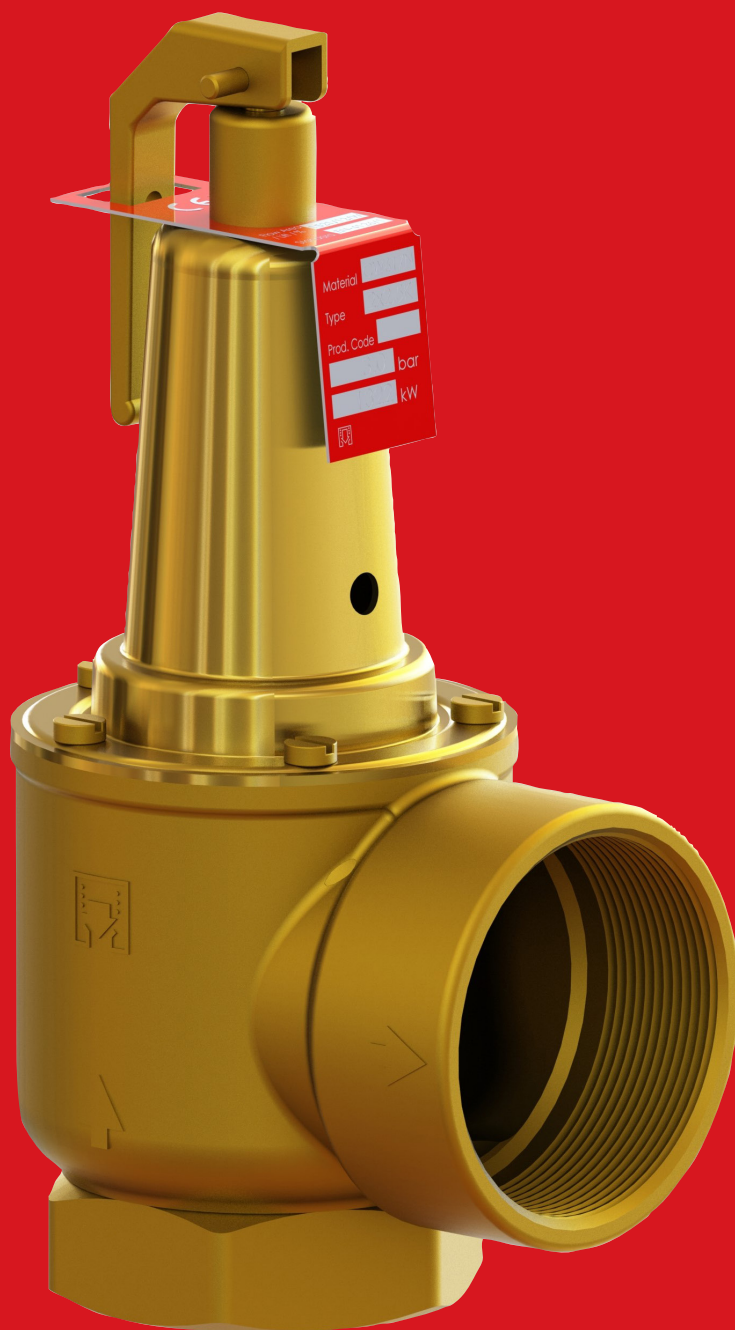


# Safety Valves DN50



**PUCO**

# Safety Valves 2 x 2½" K

Duco safety valves to protect closed heated and chilled water systems against excessive pressure.

## Application

The safety valve has to be used in a closed heating or cooling system (glycol max. 50%) Only use the Duco valve in a dry and frostfree location.

Min / max. system temp.: -10°C / +120°C

## Safety

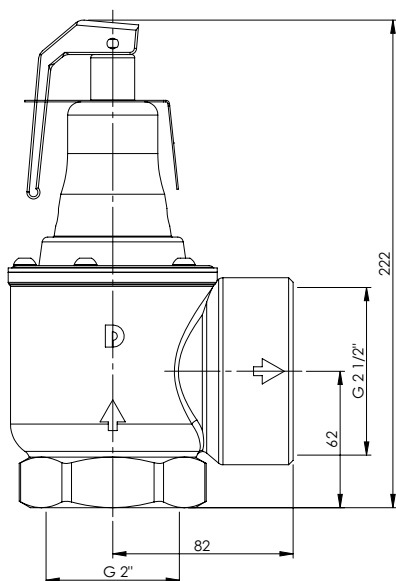
Check whether the max. capacity and the opening pressure that are indicated on the valve match the values of the system.

All Duco safety valves meet the requirements of the Pressure Equipment Directive (PED)

"Directive 2014/68/EU Module B/Module D"

The quality system also complies with the NEN-EN-ISO 9001

NORM: NEN-EN-ISO 4126-1



## Safety Valves DN50

Article number	Set pressure bar	Heating capacity kW
1155-0-05-11	0,5	546
1155-0-10-11	1	703
1155-0-20-11	2	1018
1155-0-25-11	2,5	1175
1155-0-30-11	3	1322
1155-0-40-11	4	1626
1155-0-50-11	5	1920
1155-0-60-11	6	2203
1155-0-70-11	7	2487
1155-0-80-11	8	2776
1155-0-90-11	9	3052
1155-0-99-11	10	3315



# PUCO

PenTec bv  
Edisonweg 7  
3442 AC Woerden  
The Netherlands

Tel. +31 (0)182 503 100  
E-mail info@pentecbv.nl  
Internet www.duco.nl  
www.pentecbv.nl