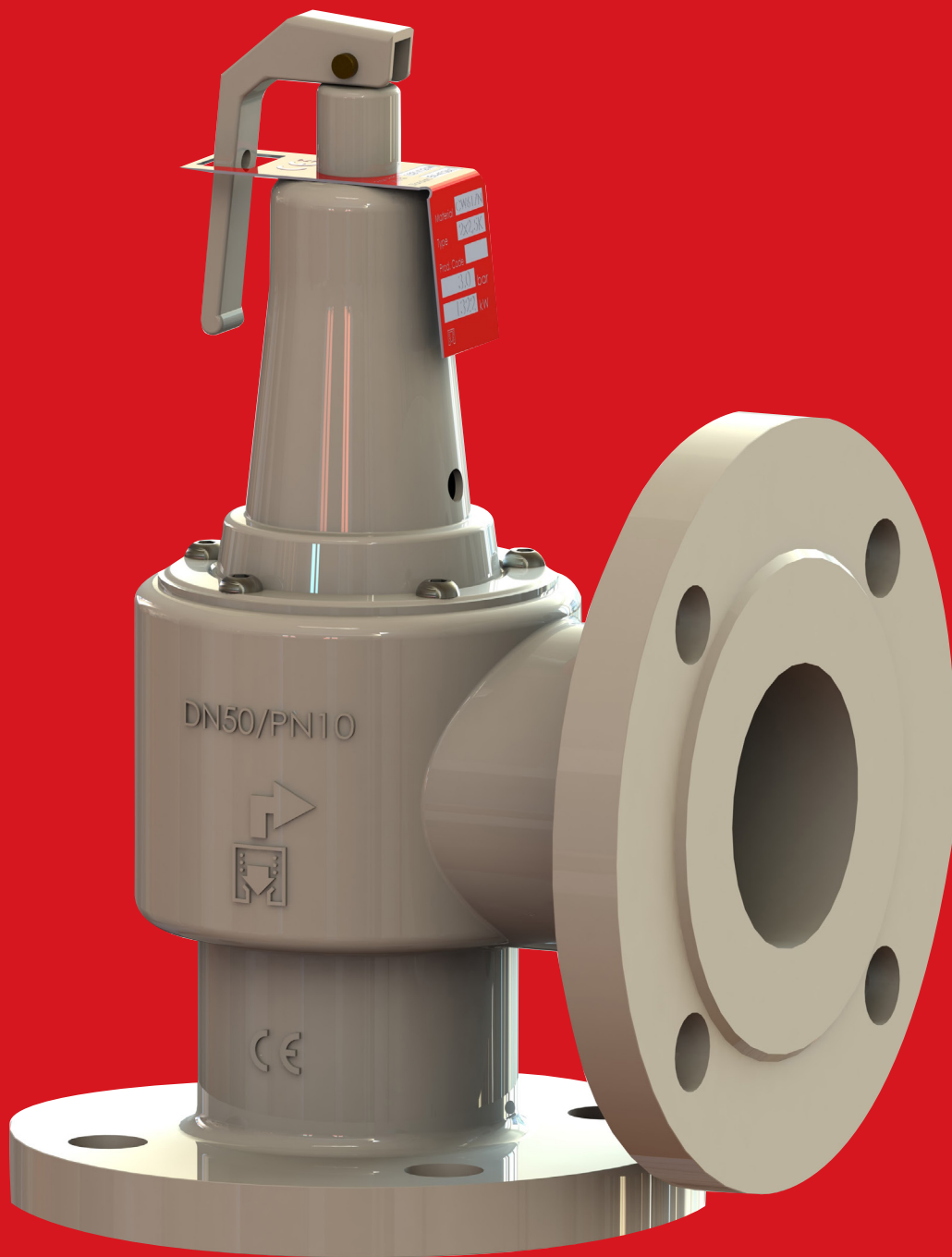


Safety Valves DN50 x DN65



DUCO

Safety Valves DN50 x DN65

Duco safety valves to protect closed heated and chilled water systems against excessive pressure.

Application

The safety valve has to be used in a closed heating or cooling system (glycol max. 50%) Only use the Duco valve in a dry and frostfree location.

Min / max. system temp.: -10°C / +120°C

Safety

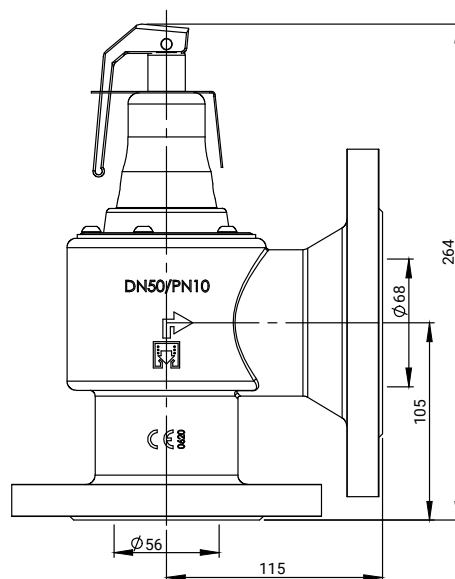
Check whether the max. capacity and the opening pressure that are indicated on the valve match the values of the system.

All Duco safety valves meet the requirements of the Pressure Equipment Directive (PED)

“Directive 2014/68/EU Module B/Module D”

The quality system also complies with the NEN-EN-ISO 9001

NORM: NEN-EN-ISO 4126-1



Safety Valves DN50 x DN65

Article number	Set pressure bar	Heating capacity kW
1170-0-01-11	0,5	450
1170-0-02-11	1	610
1170-0-04-11	2	885
1170-0-05-11	2,5	1020
1170-0-06-11	3	1150
1170-0-08-11	4	1415
1170-0-10-11	5	1670
1170-0-16-11	6	1915
1170-0-17-11	7	2160
1170-0-18-11	8	2410
1170-0-19-11	9	2655
1170-0-20-11	10	2880



PUCO

PenTec bv
Edisonweg 7
3442 AC Woerden
The Netherlands

Tel. +31 (0)182 503 100
E-mail info@pentecbv.nl
Internet www.duco.nl
www.pentecbv.nl