

# Compression Fitting Alu-pex pipe 20x2

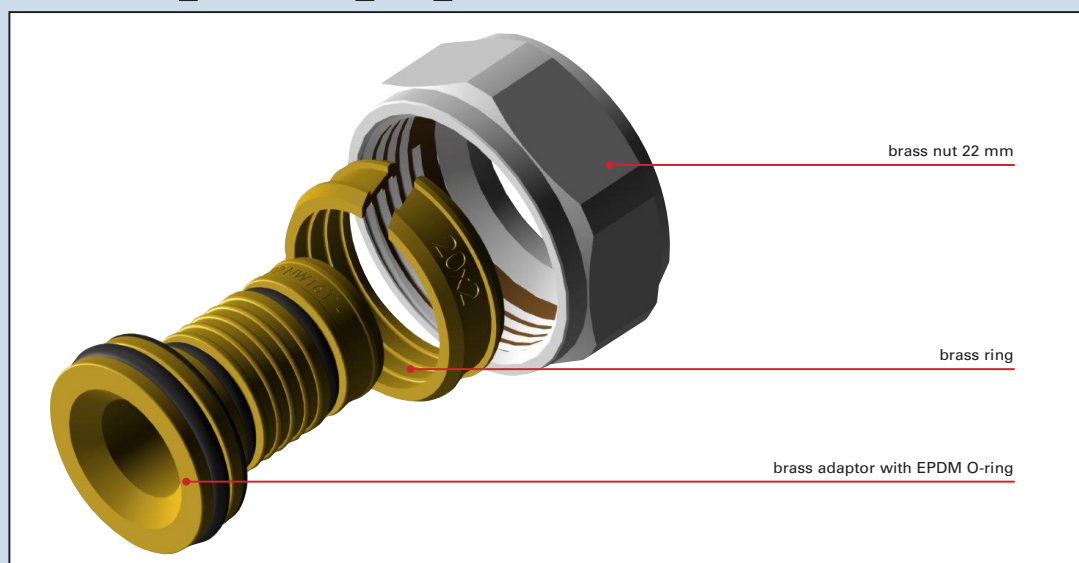
---



**ALUPEX**



# Compression Fitting 22 mm Alu-pex pipe 20x2



Compression fittings are used in plumbing and heating systems to connect plastic pipes (Pex or Alu-pex) on manifolds or radiator valves. The compression fittings consist of a brass nut, brass ring and brass adaptor.

#### Code

1450-1-86-02 Alu-pex pipe 20 x 2

Max. working pressure: 10 bar  
Temperature range: 0 - 95°C



PenTec bv  
Edisonweg 7  
3442 AC Woerden  
The Netherlands

Tel. +31 (0)182 503 100  
E-mail info@pentecbv.nl  
Internet www.duco.nl  
www.pentecbv.nl

