

Boiler Safety Valves DN20



Brass CW625N

PUCO

Boiler Safety Valves $\frac{3}{4}$ x $\frac{3}{4}$ " KB

Duco safety valves to protect closed heated and chilled water systems against excessive pressure.

Application

The safety valve has to be used in a closed heating or cooling system (glycol max. 50%) Only use the Duco valve in a dry and frostfree location.

Min / max. system temp.: -10°C / +160°C

Safety

Check whether the max. capacity and the opening pressure that are indicated on the valve match the values of the system.

All Duco safety valves meet the requirements of the Pressure Equipment Directive (PED)

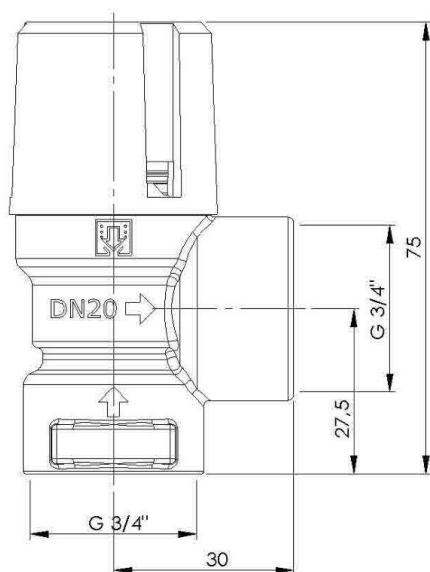
"Directive 2014/68/EU Module B/Module D"

The quality system also complies with the NEN-EN-ISO 9001

NORM: NEN-EN-ISO 4126-1



Brass CW625N



Solar Safety Valves DN20

Article number	Set pressure bar	Heating capacity kW
1135-0-06-11	6	150
1135-0-07-11	7	150
1095-0-08-11	8	150
1095-0-09-11	9	150
1095-0-10-11	10	150



PUCO

PenTec bv
Edisonweg 7
3442 AC Woerden
The Netherlands

Tel. +31 (0)182 503 100
E-mail info@pentecbv.nl
Internet www.duco.nl
www.pentecbv.nl