

# Boiler Safety Valves DN20



**PUCO**

# Solar Safety Valves $\frac{3}{4}$ x 1" KB

Duco safety valves to protect closed heated and chilled water systems against excessive pressure.

## Application

The safety valve has to be used in a closed heating or cooling system (glycol max. 50%) Only use the Duco valve in a dry and frostfree location.

Min / max. system temp.: -10°C / +160°C

## Safety

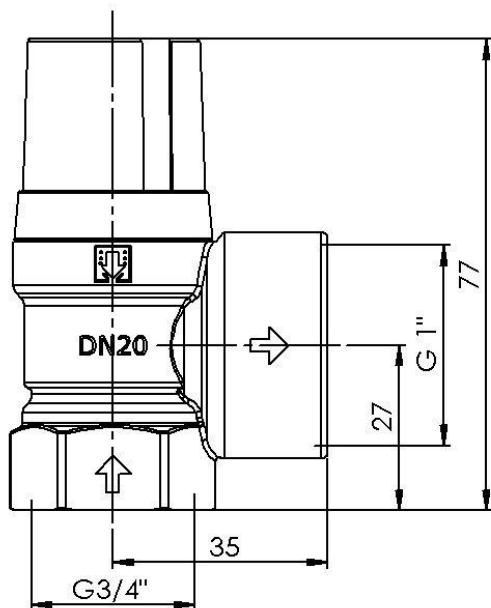
Check whether the max. capacity and the opening pressure that are indicated on the valve match the values of the system.

All Duco safety valves meet the requirements of the Pressure Equipment Directive (PED)

"Directive 2014/68/EU Module B/Module D"

The quality system also complies with the NEN-EN-ISO 9001

NORM: NEN-EN-ISO 4126-1



## Solar Safety Valves DN20

| Article number | Set pressure bar | Heating capacity kW |
|----------------|------------------|---------------------|
| 1135-0-56-11   | 6                | 150                 |
| 1135-0-57-11   | 7                | 150                 |
| 1035-0-58-11   | 8                | 150                 |
| 1035-0-59-11   | 9                | 150                 |
| 1035-0-60-11   | 10               | 150                 |



# PUCO

PenTec bv  
Edisonweg 7  
3442 AC Woerden  
The Netherlands

Tel. +31 (0)182 503 100  
E-mail info@pentecbv.nl  
Internet www.duco.nl  
www.pentecbv.nl