

# Differential Pressure Valve DN20 DPV



**PUCO**

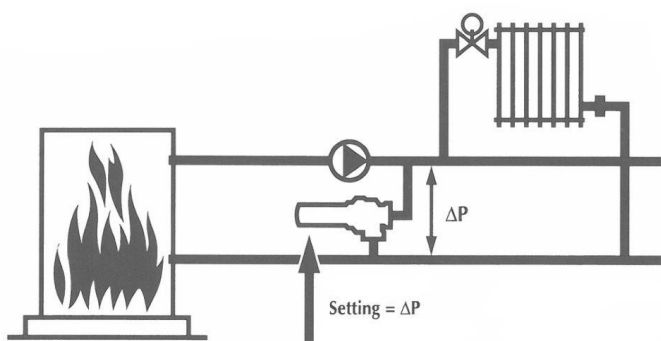
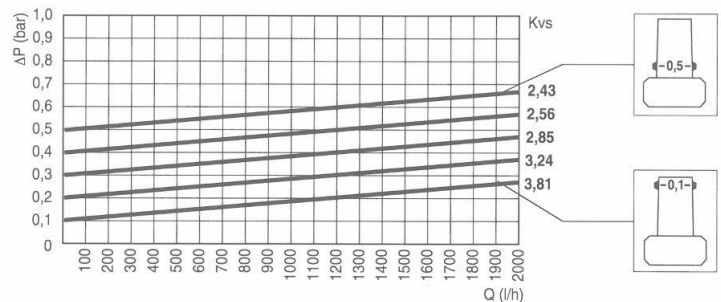
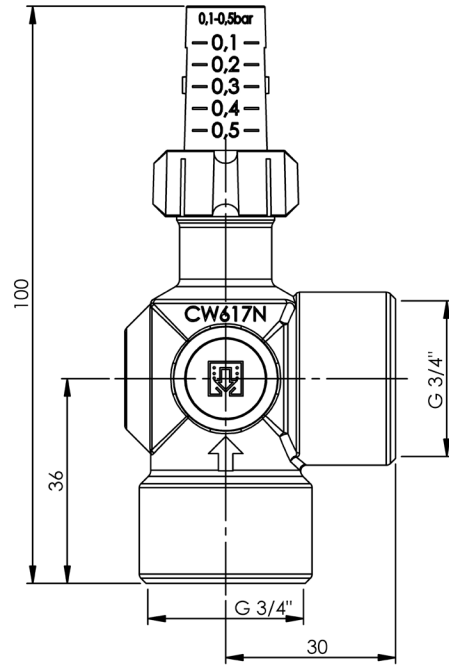
# Differential Pressure Valve DN20 DPV 3/4 x 3/4"

Differential Pressure Valves are used to prevent large differences in pressure in the central heating systems. A difference in pressure occurs when thermostatic radiator valves are shut off simultaneously. As a result, circulation is blocked. There is a reduction in the supply of water and an increase in differential pressure in the system. A differential pressure controller between the supply and return pipes reduces this difference in pressure, including any bothersome flow-generated noise, and guarantees adequate levels of circulation in the boiler.

Mechanism: the differential pressure controller incorporates a valve. Any difference in pressure will open this valve and prevent any further increase in pressure difference. Fit the differential pressure controller as far away from the central heating boiler as possible.

Please note: there is an arrow on the body of the differential pressure controller to show the direction of flow.

Max. operating temperature : 100 °C  
 Max. operating pressure : 4 bar  
 Pressure difference : 0.1 - 0.5 bar  
 Factory setting : 0.2 bar



DUCO Differential Pressure Valves DPV	
Article number	Maximum bar
1300-0-07-11	4



# PUCO

PenTec bv  
 Edisonweg 7  
 3442 AC Woerden  
 The Netherlands

Tel. +31 (0)182 503 100  
 E-mail info@pentecbv.nl  
 Internet www.duco.nl  
 www.pentecbv.nl