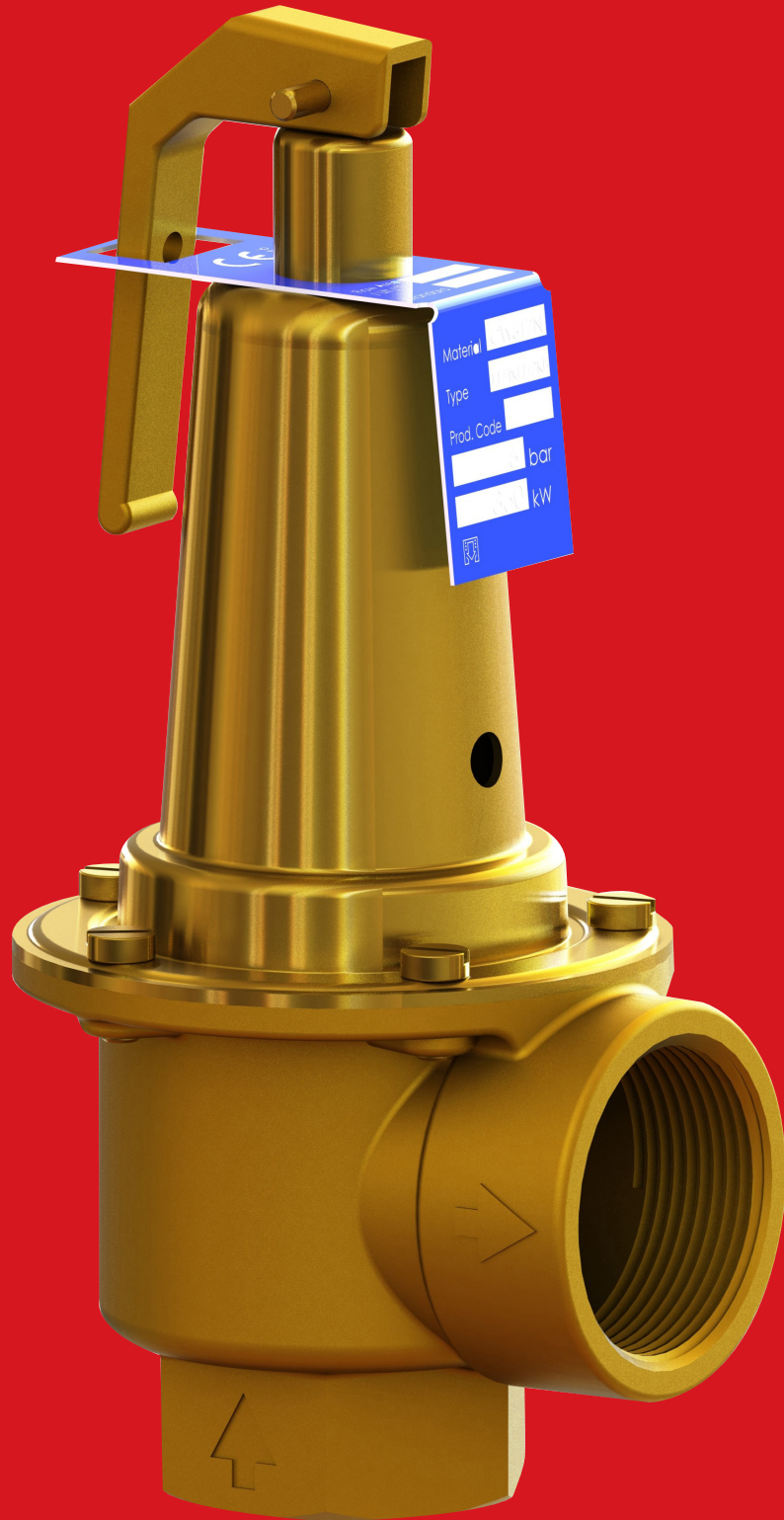


Boiler Safety Valves DN32



DUCO

Boiler Safety Valves DN32 - 1¼ x 1½" KB

DUCO boiler valves to protect closed potable heated water systems against excessive pressure.

Application

The boiler valve has to be used in a closed drinking water system.

Only use the valve in a dry and frostfree location.

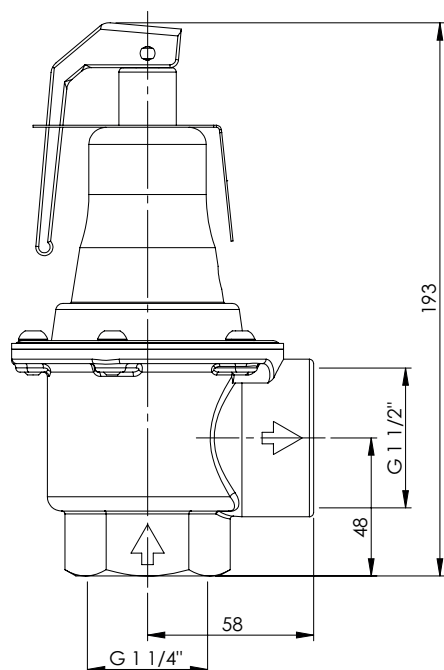
Min/Max. system temp. 0°C / + 95°C

Safety

Check whether the max. capacity and the opening pressure that are indicated on the valve match the values of the system.

All Duco safety valves meet the requirements of the Pressure Equipment Directive (PED) "Directive 2014/68/EU Module B/Module D". The quality system also complies with the NEN-EN-ISO 9001

NORM: NEN-EN 1491



Safety Valves DN32

Article number	Set pressure bar	Heating capacity kW
1146-0-06-11	6	350
1146-0-07-11	7	350
1146-0-08-11	8	350
1146-0-09-11	9	350
1146-0-10-11	10	350



PUCO

PenTec bv
Edisonweg 7
3442 AC Woerden
The Netherlands

Tel. +31 (0)182 503 100
E-mail info@pentecbv.nl
Internet www.duco.nl
www.pentecbv.nl