

Waterpressure Reducing Valve DN15



DUCO

Waterpressure Reducing Valve DN15

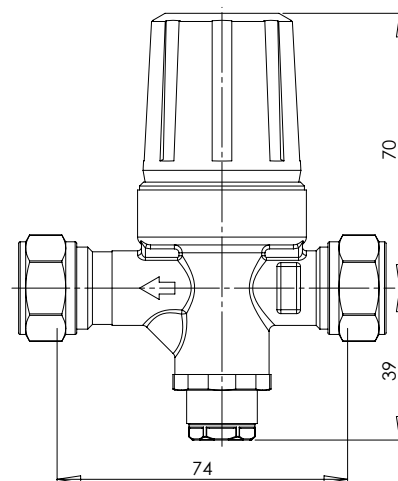
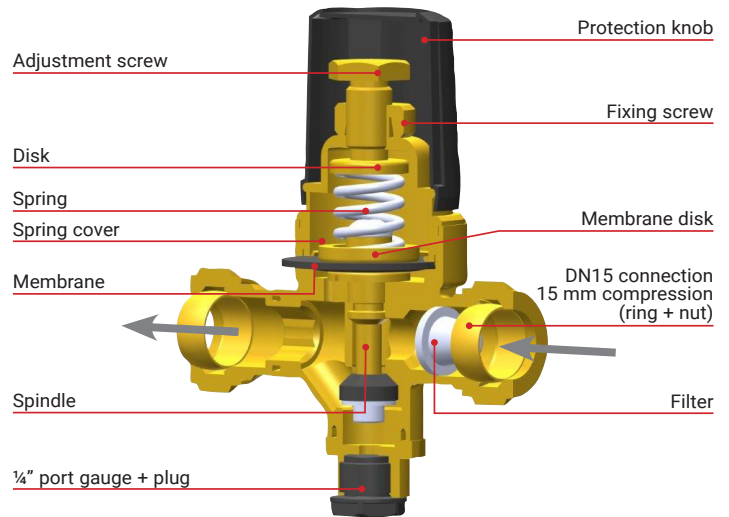
The WPRV reduces the pressure of the water that goes through the valve, and is used to obtain a regulated and constant flow/value at the outlet.

The valve is installed at the water mains (in houses/flats) directly after the water meter. It protects the whole installation from problems due to excess pressure (noises, water hammer etc.).

***Important:**

Less pressure means less water used.

- Flow:** the arrow on the body indicates the direction of the flow.
- Filter:** at the inlet side of the valve there is a removable filter.
- Pressure gauge:** there is a 1/4" gauge port at the bottom of the valve.
- Assembly:** assembly of the valve can be horizontal or vertical.
- Commissioning:** the adjustment of the valve must be done without flow. The valve is factory preset at 4 bar and it remains adjustable within a 1 to 4 bar range.
- To increase the pressure:** turn the adjustment screw clockwise (seen from above) and secure the setting by using the fixing screw.
- To reduce the pressure:** turn the adjustment screw anticlockwise (seen from above) and secure the setting by using the fixing screw.
- Max. cap.:** 1.260 l/h
- Prim. pressure:** max. 16 bar
- Adjustable:** range within 1 to 4 bar



Waterpressure reducing valve	
Article number	Max. capacity l/h
1550-0-20-01	1.260



PenTec bv
Edisonweg 7
3442 AC Woerden
The Netherlands

Tel. +31 (0)182 503 100
E-mail info@pentecbv.nl
Internet www.duco.nl
www.pentecbv.nl