

Filling Valve DN15



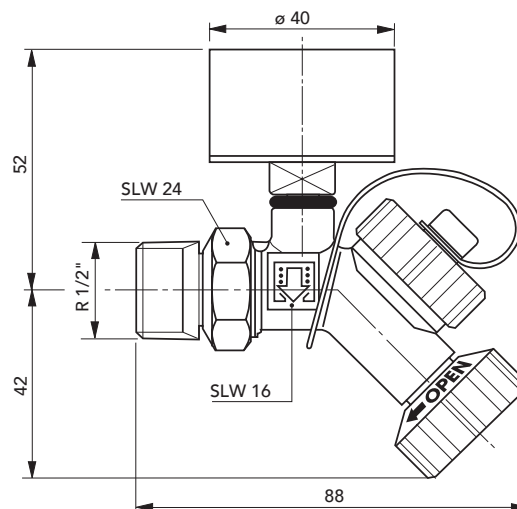
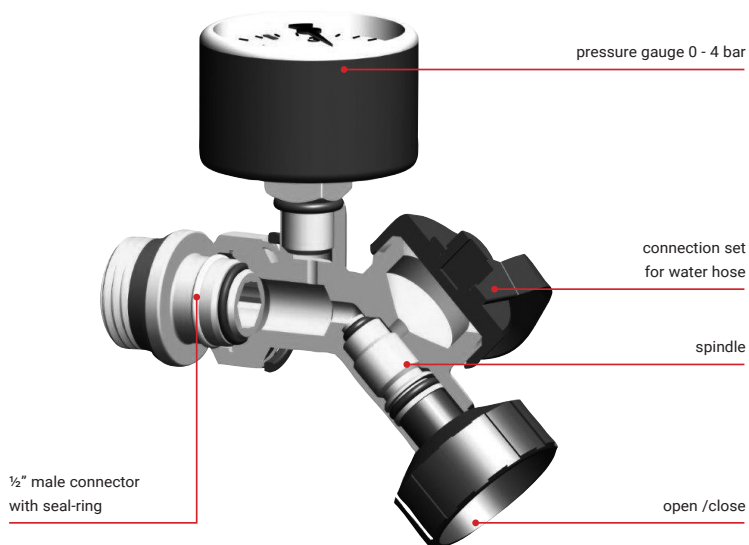
DUCO

Filling Valve Wivak 2000

The WIVAK 2000 is a Filling Valve for heating systems. The valve has a ½" male connector with seal-ring, a connection set for the waterhose, a spindle shut-off and a Pressure Gauge 0 - 4 bar.



plastic hose nozzle with swivel



Filling Valve Wivak 2000

Article number

1500-1-03-01

PUCO

PenTec bv
Edisonweg 7
3442 AC Woerden
The Netherlands

Tel. +31 (0)182 503 100
E-mail info@pentecbv.nl
Internet www.duco.nl
www.pentecbv.nl