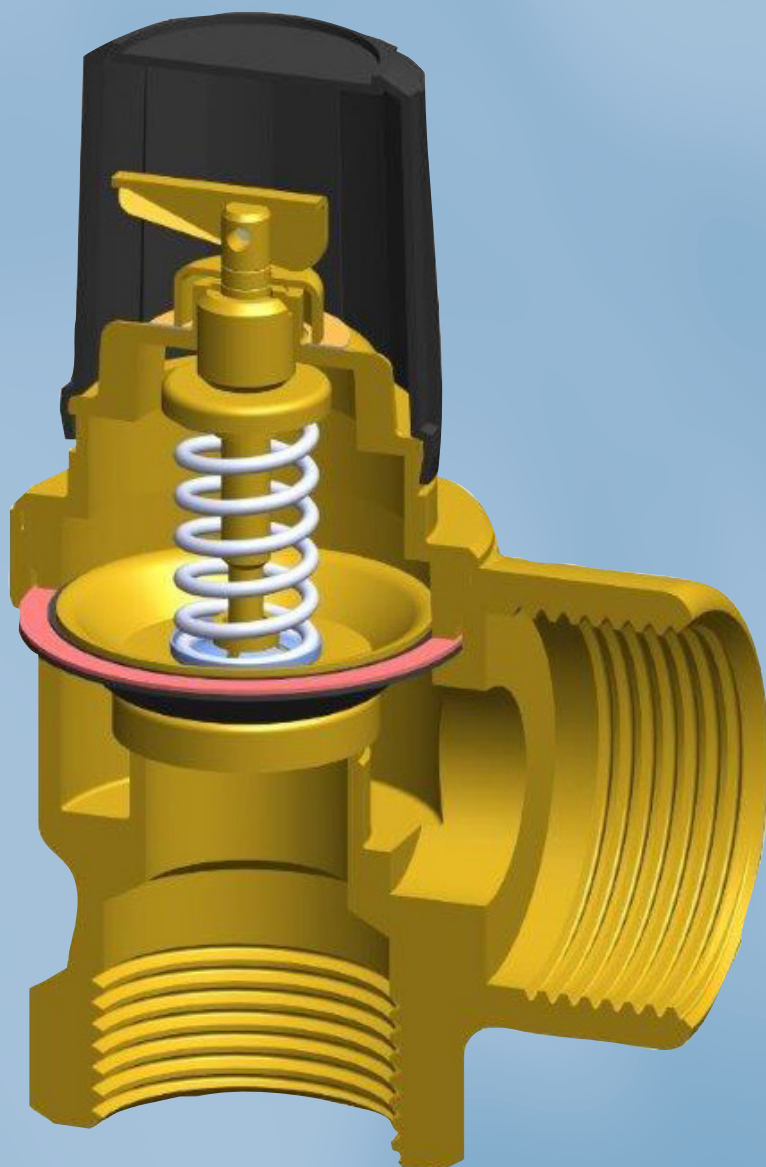


# Technical Information

## Safety Valves DN 25

---

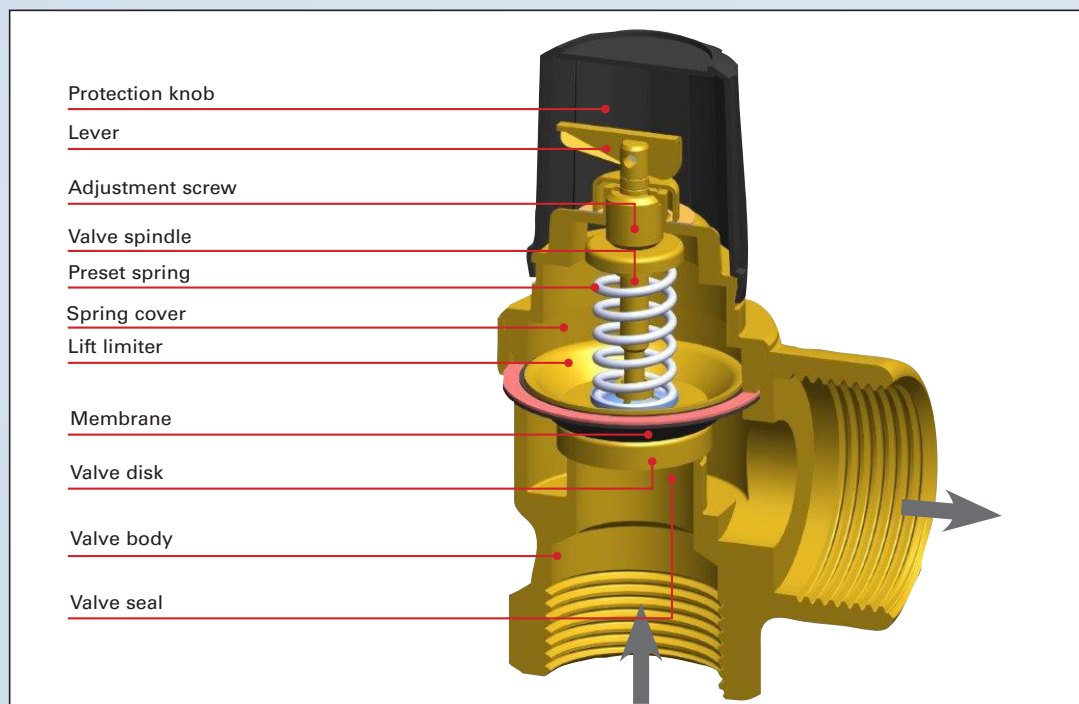


**WUOL**



# Technical Information

## Safety Valves DN 25



All Duco safety valves meet the requirements of the Pressure Equipment Directive (PED) "Directive 2014/68/EU Module B/Module D"  
The quality system also complies with the NEN-EN-ISO 9001

NORM: NEN-EN-ISO 4126-1

Medium water and water/glycol solutions up to 50%  
Min./max. working temperature -10°C / +120°C

### Material specifications

Protection knob	Polyethylene soft
Lever	Brass
Adjustment screw	Brass CW614N
Valve spindle	Brass CW614N
Preset spring	Spring steel DIN 17223 Zinc plated
Spring cover	Brass CW617N
Lift limiter	Brass
Membrane	EPDM 50'Sh
Valve disk	Brass CW614N
Valve body	Brass CW617N – Pb<2,2%
Valve seal	Silicon rubber 80'Sh



PenTec bv  
Edisonweg 7  
3442 AC Woerden  
The Netherlands

Tel. +31 (0)182 503 100  
E-mail info@pentecbv.nl  
Internet www.duco.nl  
www.pentecbv.nl

