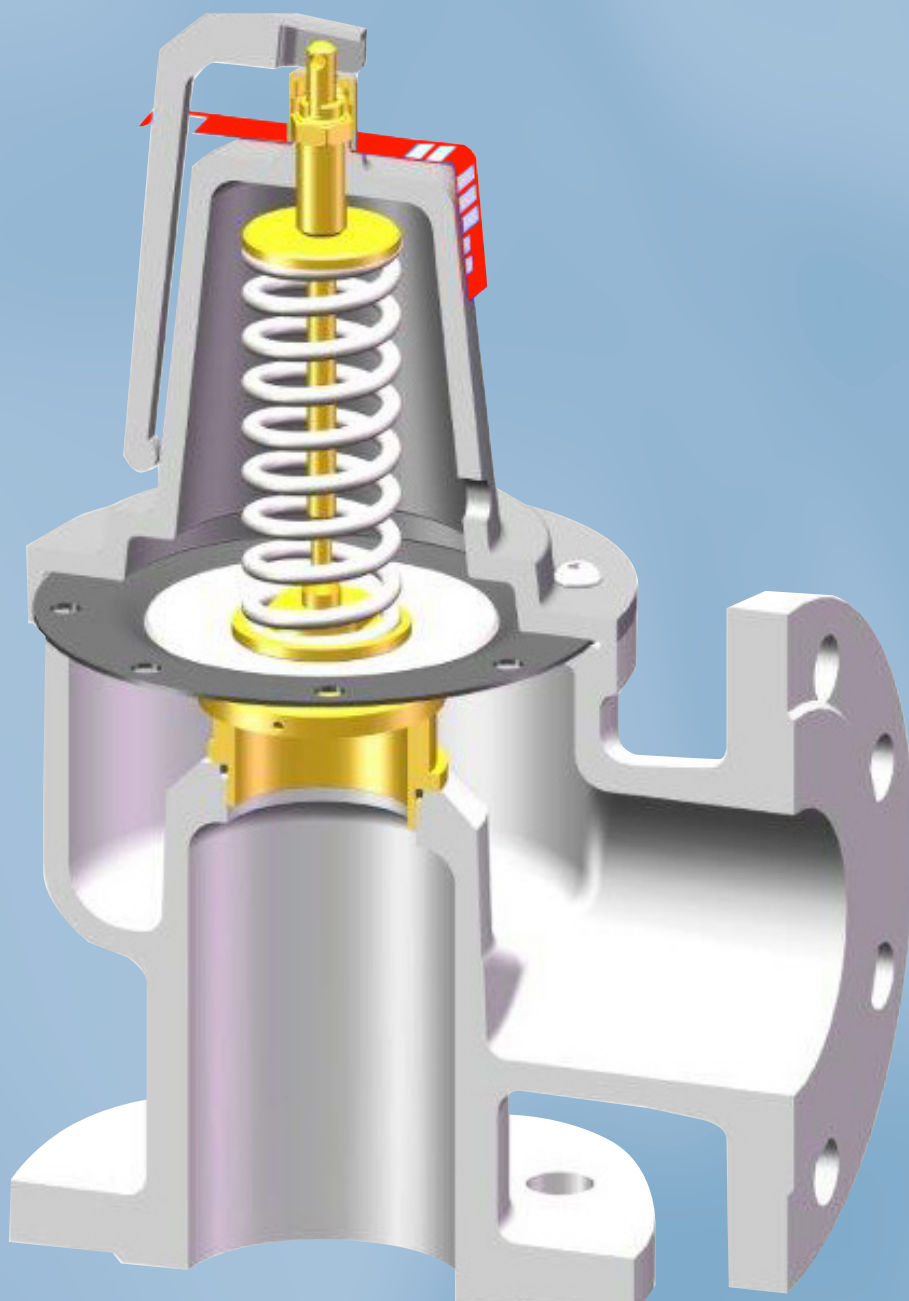


Technical Information

Safety Valves

DN 32 / DN 40 / DN 50 / DN 65

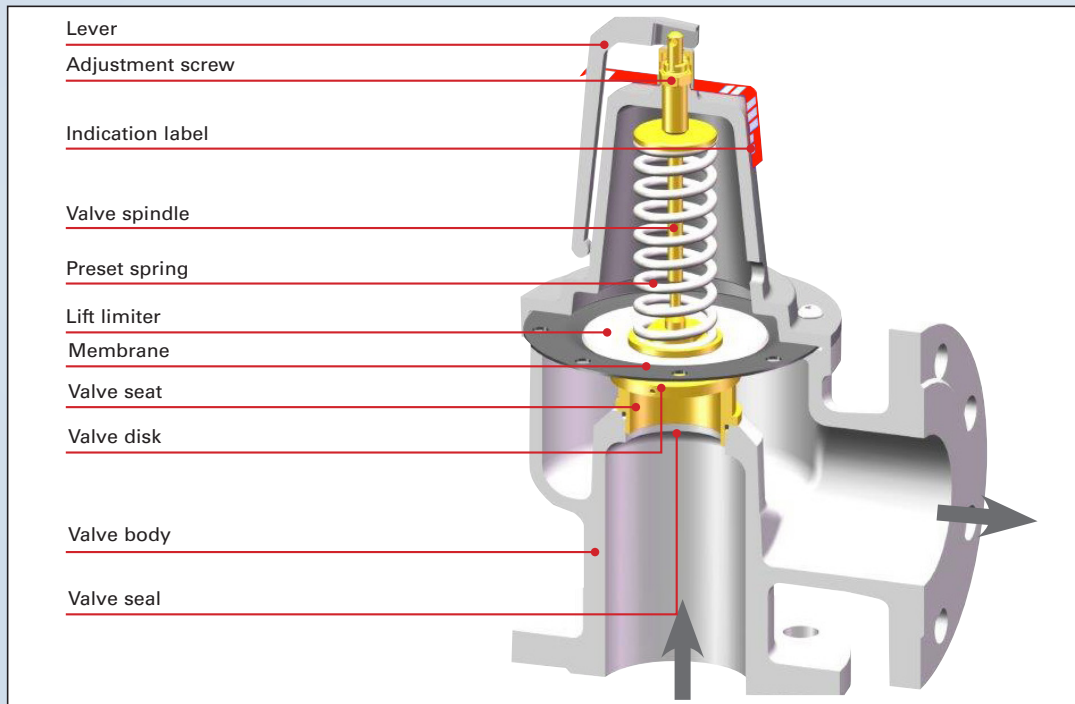


ERCO



Technical Information Safety Valves

DN 32 / DN 40 / DN 50 / DN 65



All Duco safety valves meet the requirements of the Pressure Equipment Directive (PED) "Directive 2014/68/EU Module B/Module D"
The quality system also complies with the NEN-EN-ISO 9001

NORM: NEN-EN-ISO 4126-1

Medium water and water/glycol solutions up to 50%
Min./max. working temperature -10°C / +120°C

Material specifications

Lever	Steel
Indication label	Aluminium
Adjustment screw	Brass CW614N
Valve spindle	Brass CW614N
Preset spring	Spring steel DIN 17223 Zinc plated
Lift limiter	Steel Zinc plated
Membrane	EPDM 75'Sh Peroxide cured
Valve seat	Brass CW614N
Valve disk	Brass CW614N
Valve body	Cast Iron EN-GJS-400-15
Valve seal	EPDM 75'Sh Peroxide cured



PenTec bv
Edisonweg 7
3442 AC Woerden
The Netherlands

Tel. +31 (0)182 503 100
E-mail info@pentecbv.nl
Internet www.duco.nl
www.pentecbv.nl

