

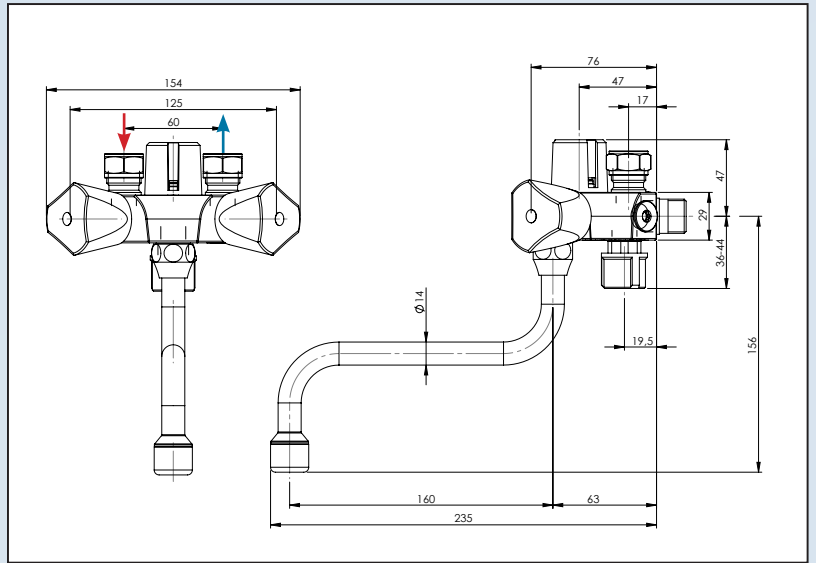
# Boiler Mixer Tap DN15

---



**kiwa**

# Boiler Mixer Tap

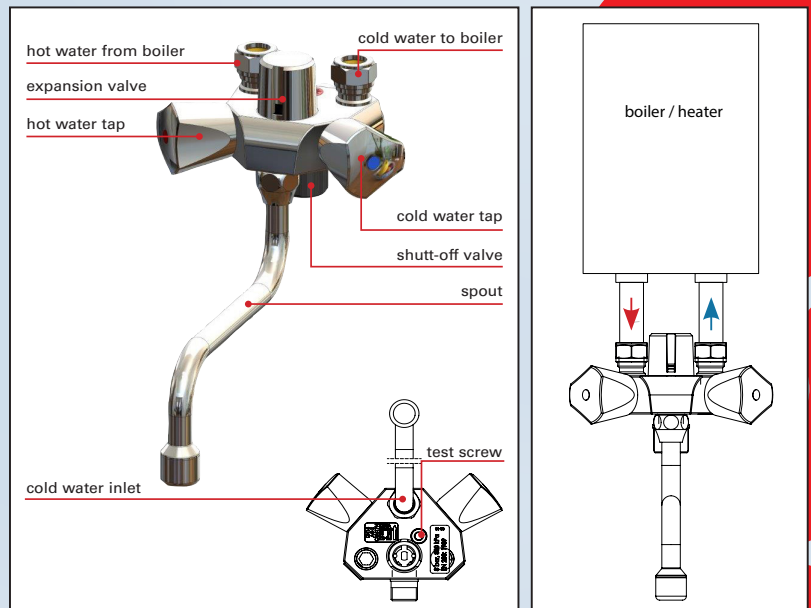


Code	Set pressure bar	Capacity kW
1202-2-88-01	8	75

The DUCO D-MIC Boiler Mixer Tap is a polished chrome plated Mixer Tap with a integrated Boilerexpansion Valve, a integrated Check-Valve and a cold water Shut-off Valve at the bottom of the Mixer Tap.

The Mixer Tap must be mounted on the cold water pipe coming out of the wall (1/2" male nipple at the backside of the Mixer Tap) and underneath the Boiler (max. 200 L / 75 kW).

Certified by KIWA / EN1488 & EN 200



PenTec bv  
Edisonweg 7  
3442 AC Woerden  
The Netherlands

Tel. +31 (0)182 503 100  
E-mail info@pentecbv.nl  
Internet www.duco.nl  
www.pentecbv.nl

