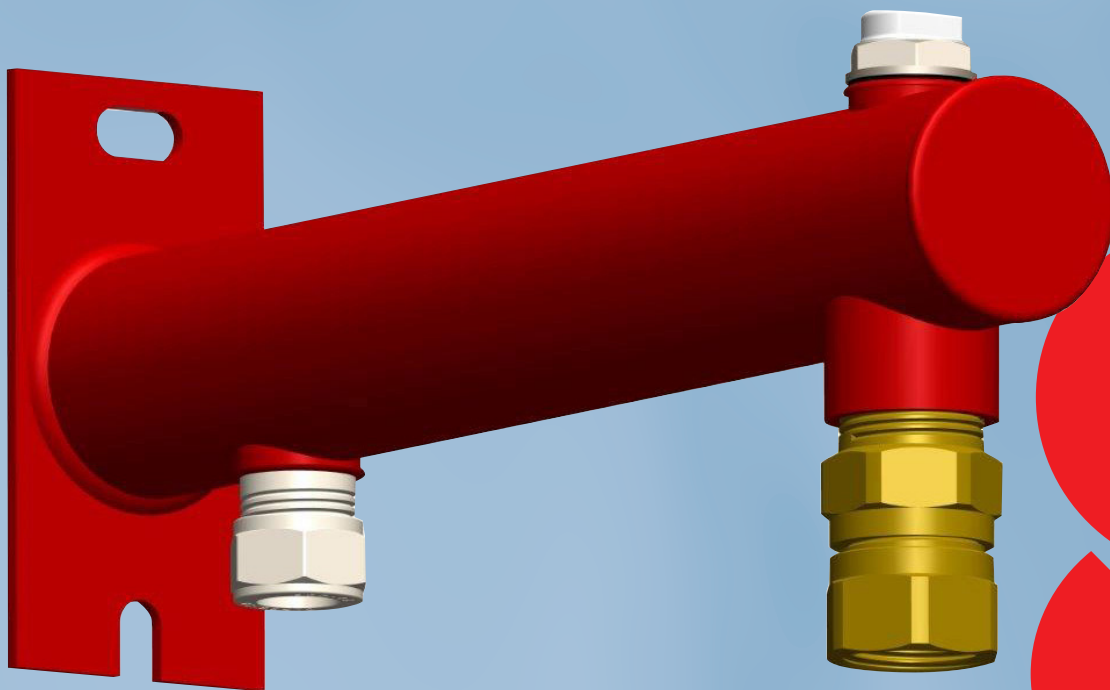


# Expansion Vessel Console EVC

---

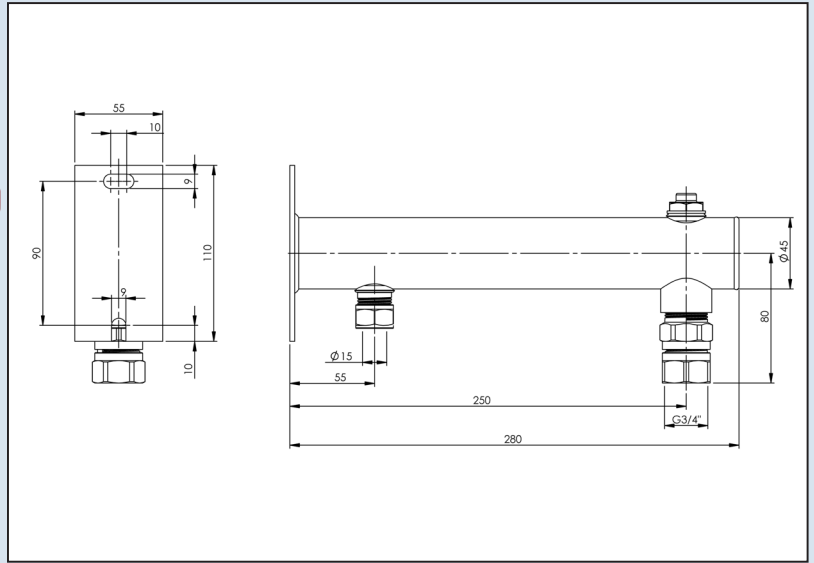
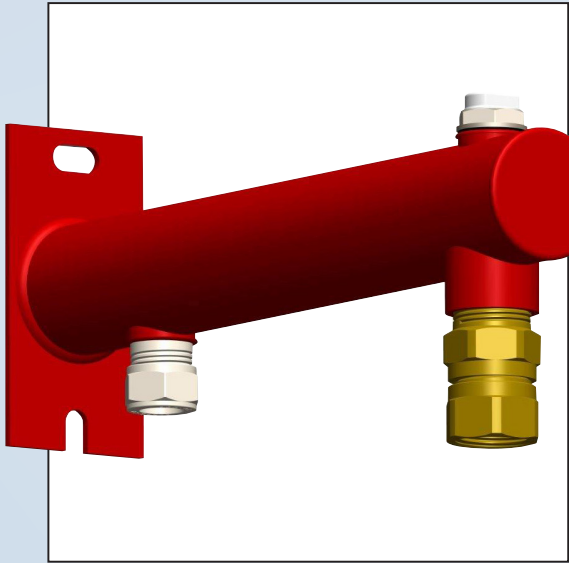


**RODRE**



# Expansion Vessel Console

## DUCOnsole 2 x 1/2" x 3/4" EVC quick-release coupling 15mm compression connection + 1/2" air-vent



Steel coated console with wall plate to connect expansion vessels up to and including 25 litres to a wall.

The console has a 1/2" air-vent and 15mm compression connection for the water pipe. Also a 3/4" quick-release coupling (EVC) is mounted at the end of the console.

The EVC makes it possible to check, if needed to replace, easily the correct working of the expansion vessel without draining the entire system.

Colour: Red (RAL 3013)

### Code

1476-6-42-01



PenTec bv  
Edisonweg 7  
3442 AC Woerden  
The Netherlands

Tel. +31 (0)182 503 100  
E-mail info@pentecbv.nl  
Internet www.duco.nl  
www.pentecbv.nl

