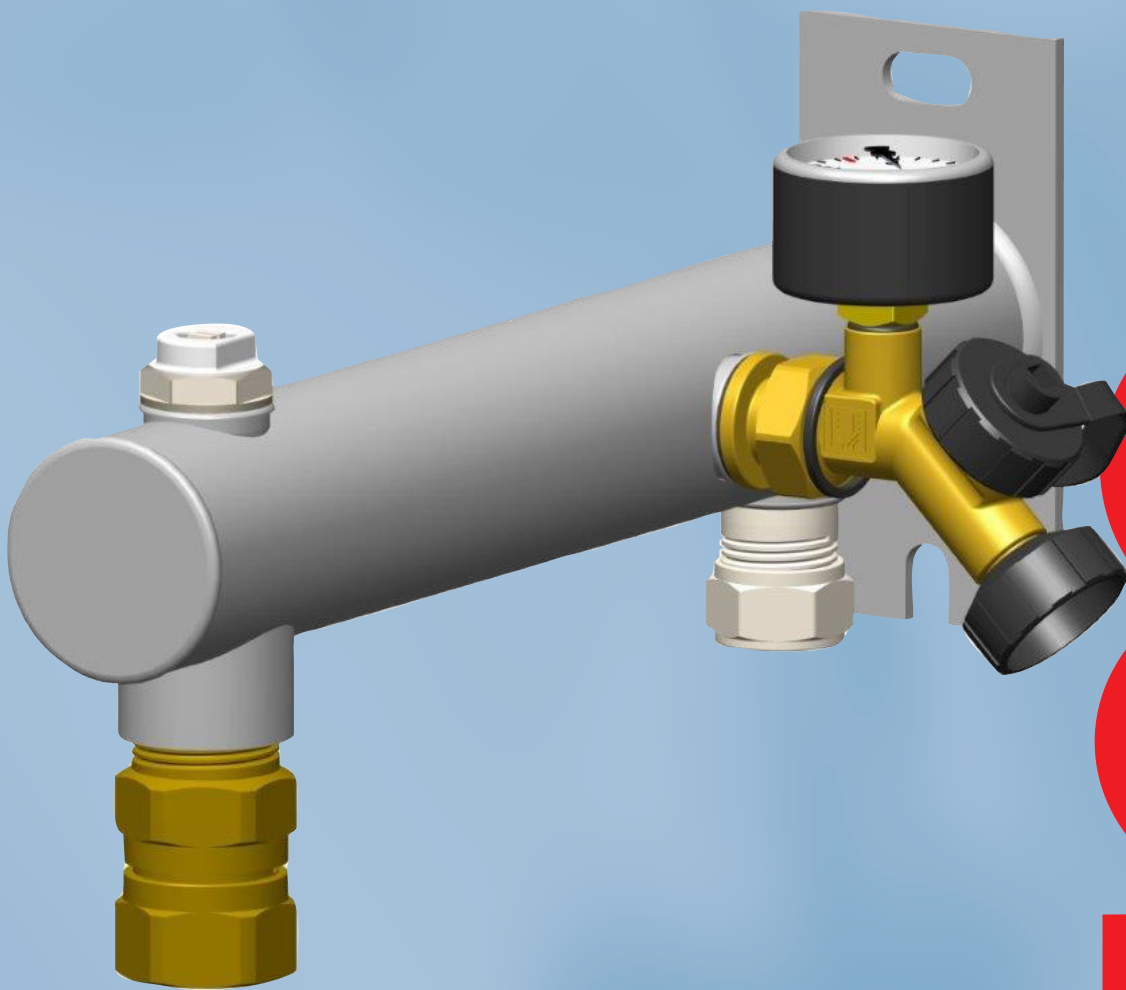


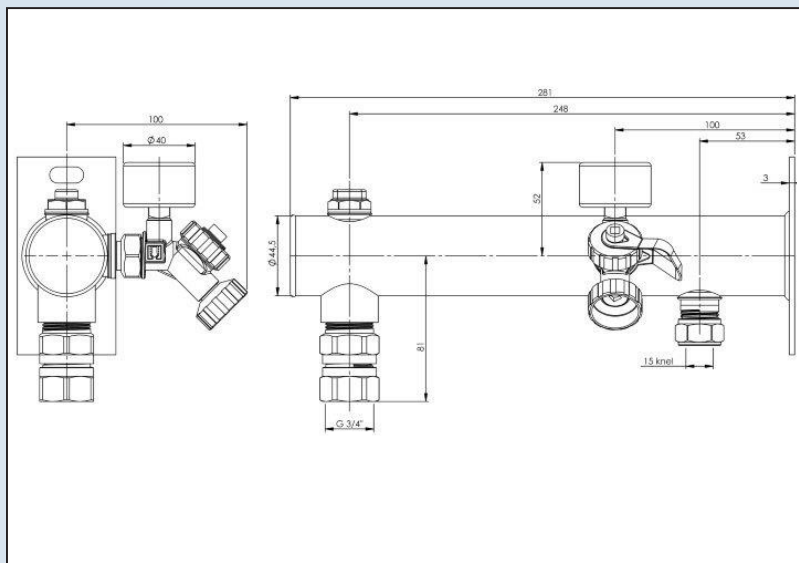
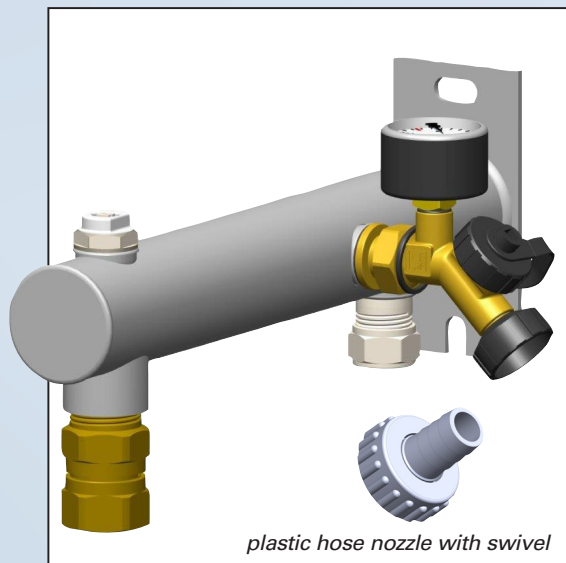
Expansion Vessel Console EVC - Wivak



WIVAK



Expansion Vessel Console EVC - Wivak



Steel coated console with wall plate to connect expansion vessels up to and including 25 litres to a wall.

The console has a $\frac{1}{2}$ " air-vent and 15 mm compression connection for the water pipe. Also a $\frac{3}{4}$ " quick-release coupling (EVC) and Filling Valve (WIVAK 2000) is mounted. The WIVAK 2000 makes it very easy to fill up the system. Just connect the water hose on the filling point of the Filler and check the bar pressure.

The EVC makes it possible to check, if needed to replace, easily the correct working of the expansion vessel without draining the entire system.

Colour: Gray (RAL 7040)

Code

1476-6-63-01



PenTec bv
Edisonweg 7
3442 AC Woerden
The Netherlands

Tel. +31 (0)182 503 100
E-mail info@pentecbv.nl
Internet www.duco.nl
www.pentecbv.nl

