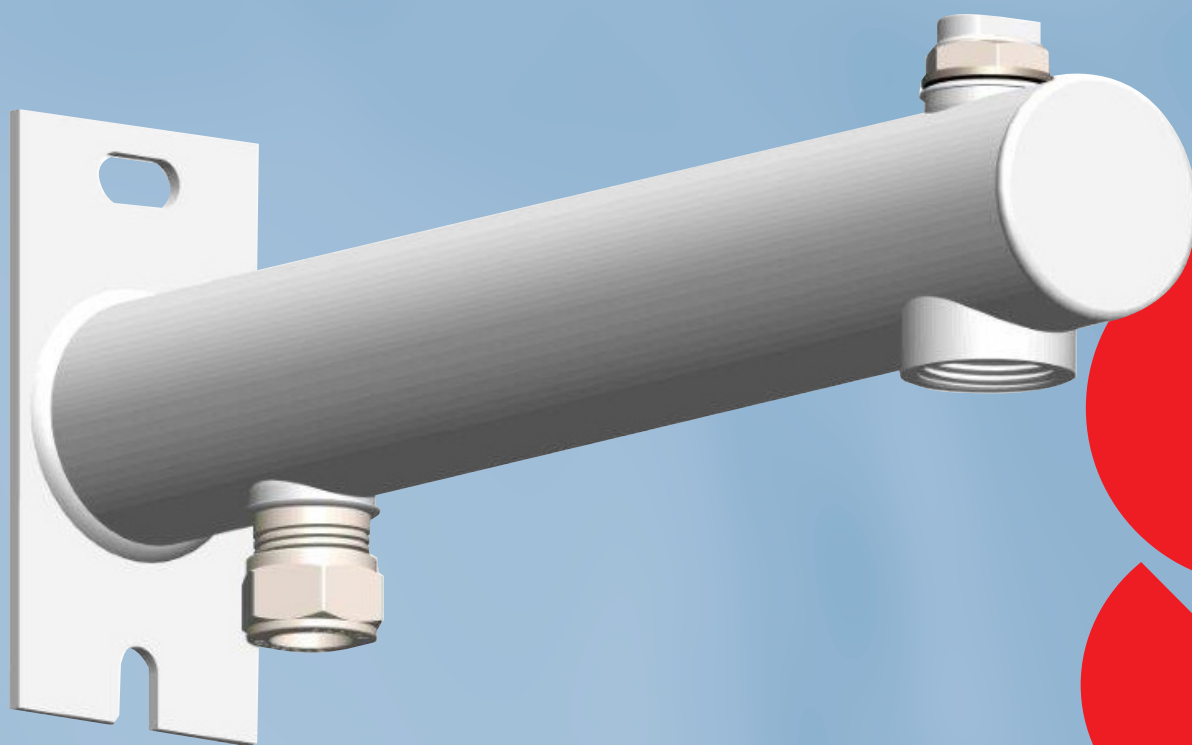


Expansion Vessel Console



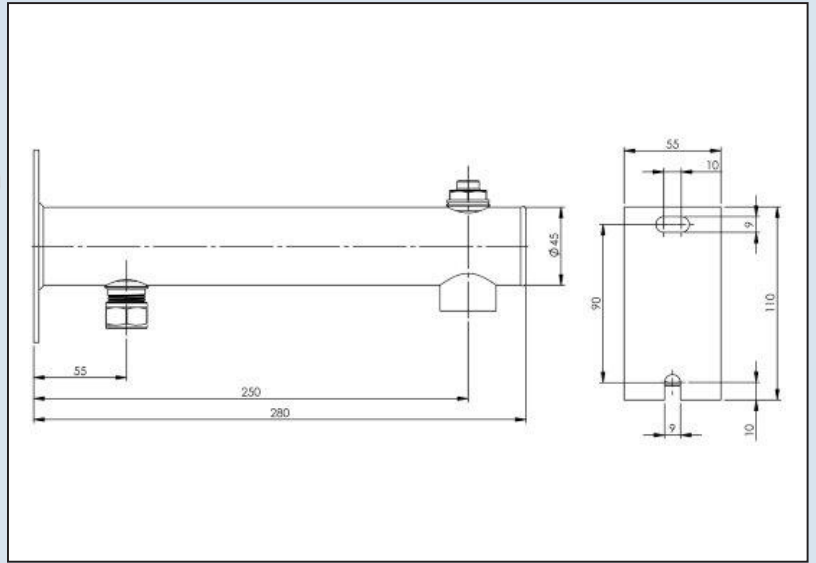
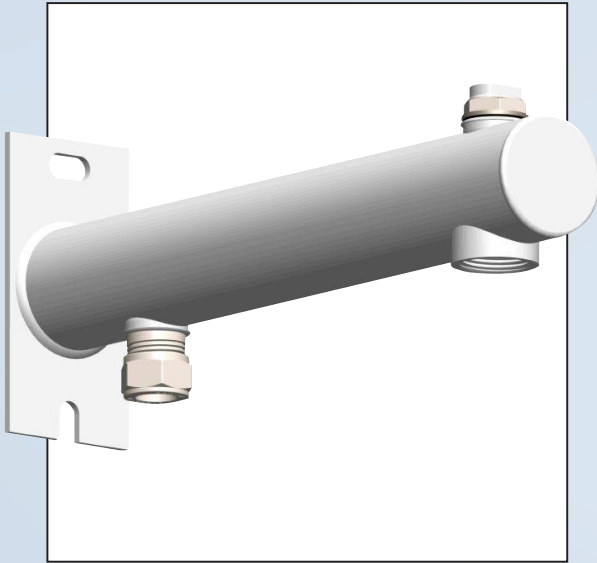
**COOL
D
E**



Expansion Vessel Console

DUCOnsole 2x1/2"x3/4"

15 mm compression connection + 1/2" air-vent



Steel coated console with wall plate to connect expansion vessels up to and including 25 litres to a wall.

The console has a 3/4" female connection at the end (vessel connection), a mounted 1/2" air-vent and a 15 mm compression connection for the water pipe.

Colour: White (RAL 9010)

Code

1476-6-23-02

DUCO



PenTec bv
Edisonweg 7
3442 AC Woerden
The Netherlands

Tel. +31 (0)182 503 100
E-mail info@pentecbv.nl
Internet www.duco.nl
www.pentecbv.nl