

Expansion Vessel Safety Group DN20



PUCO

Expansion Vessel Safety Group DN20

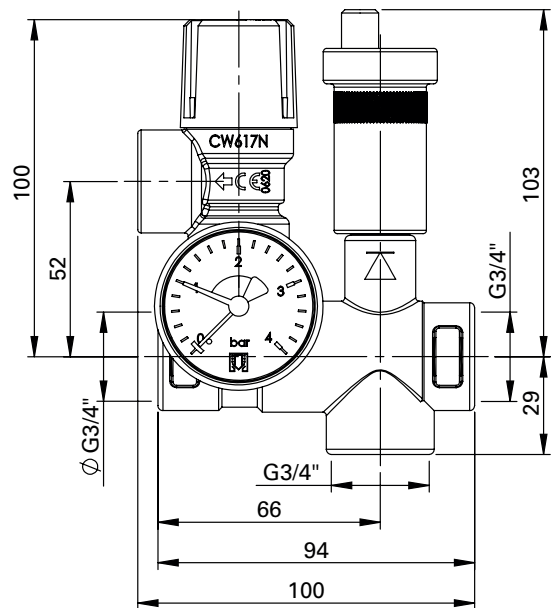
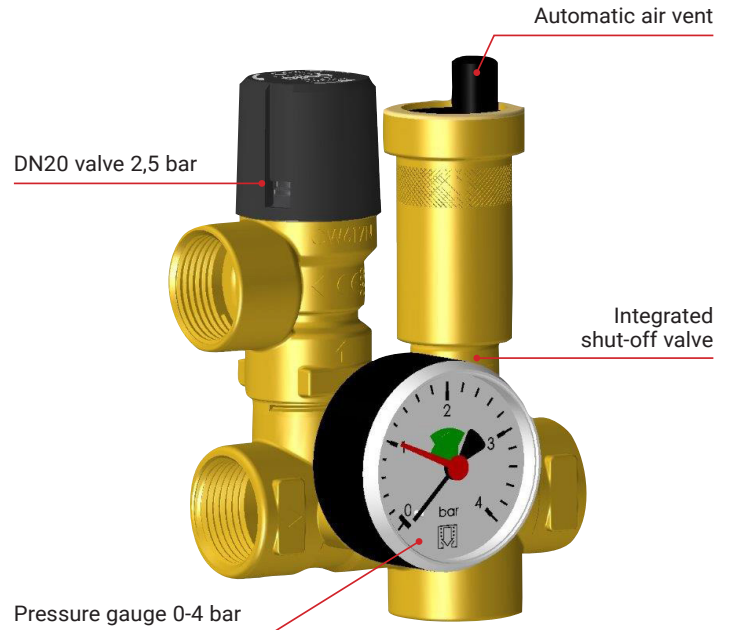
For mounting/connecting expansion vessels.
The Safety Group (CVR) with 3 x 3/4" female connection consists of a

- DN20 Safety Valve 2,5 or 3 bar
(it is also possible to use a 3/4" x 1" valve)
- Automatic Airvent (3/8" connection) with shut off valve
- Pressure Gauge 0-4 bar
(1/4" connection possible on both sides)

Safety

All Duco safety valves meet the requirements of the Pressure Equipment Directive (PED) "Directive 2014/68/EU Module B/Module D"
The quality system also complies with the NEN-EN-ISO 9001

NORM: NEN-EN-ISO 4126-1



ExpansionVessel Safety Group DN20

Article number	Set pressure bar	Capacity kW
1520-0-01-1	2,5	114



PUCO

PenTec bv
Edisonweg 7
3442 AC Woerden
The Netherlands

Tel. +31 (0)182 503 100
E-mail info@pentecbv.nl
Internet www.duco.nl
www.pentecbv.nl