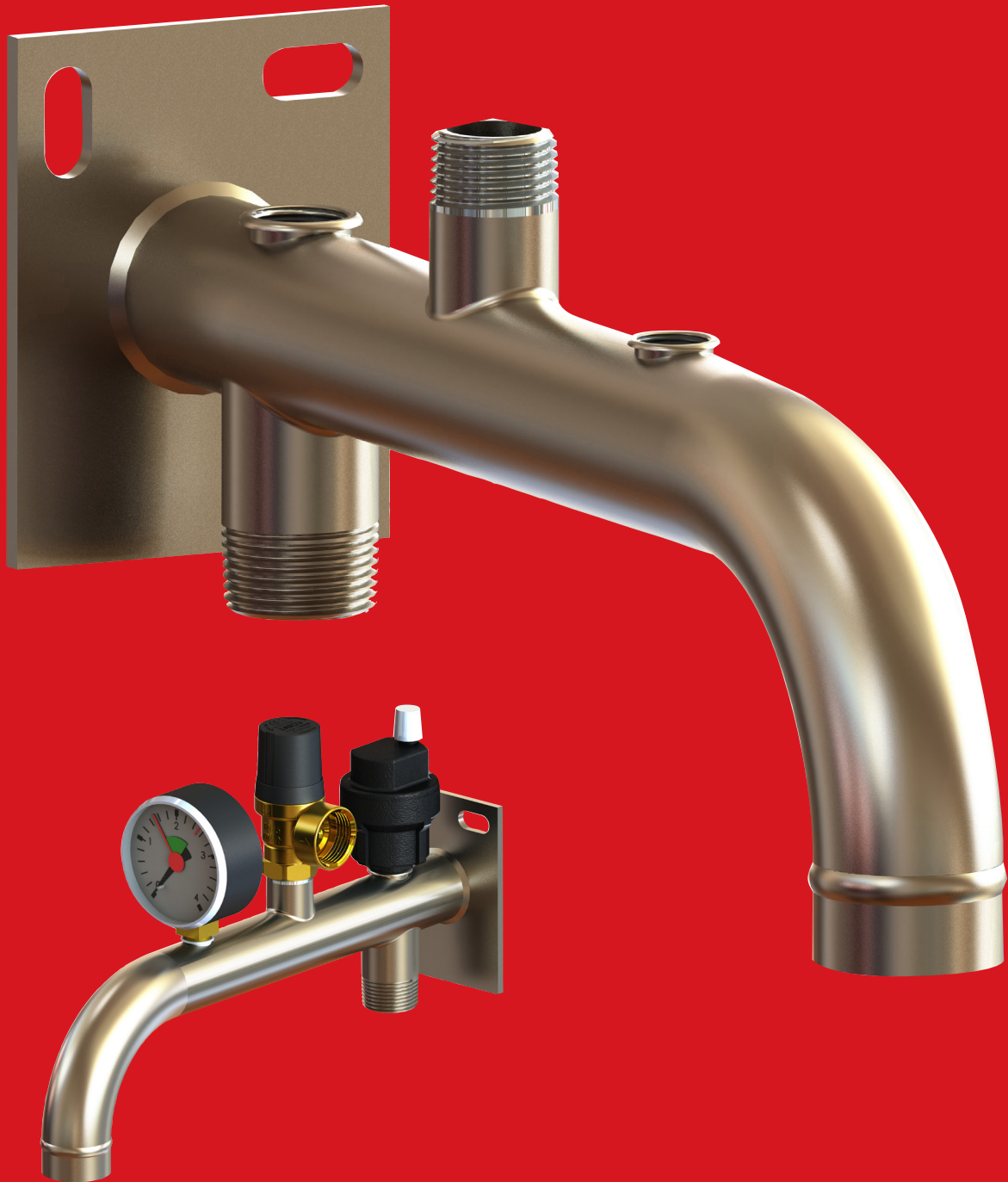


# Expansion Vessel Console

$\frac{3}{4}$ "M x  $\frac{3}{4}$ "F



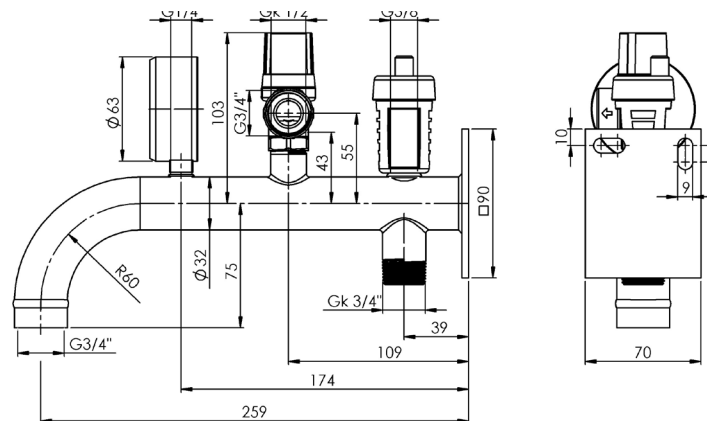
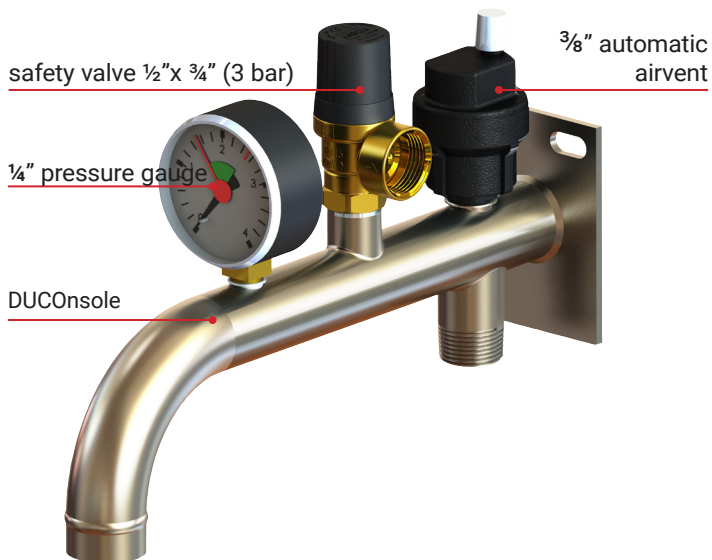
**DUCO**

# Expansion Vessel Console $\frac{3}{4}$ "M x $\frac{3}{4}$ "F

Steel galvanised (messing look) console with wall plate to connect expansion vessels up to and including 25 litres to a wall.

The DUConsole can be equipped with a

- safety valve  $\frac{1}{2}$ "x  $\frac{3}{4}$ " (3 bar)
- $\frac{1}{4}$ " pressure gauge
- $\frac{3}{8}$ " automatic airvent



Expansion Vessel Console  $\frac{3}{4}$ "M x  $\frac{3}{4}$ "F

Article number

1474-7-36-01

1474-7-31-01 excl. appendages\*