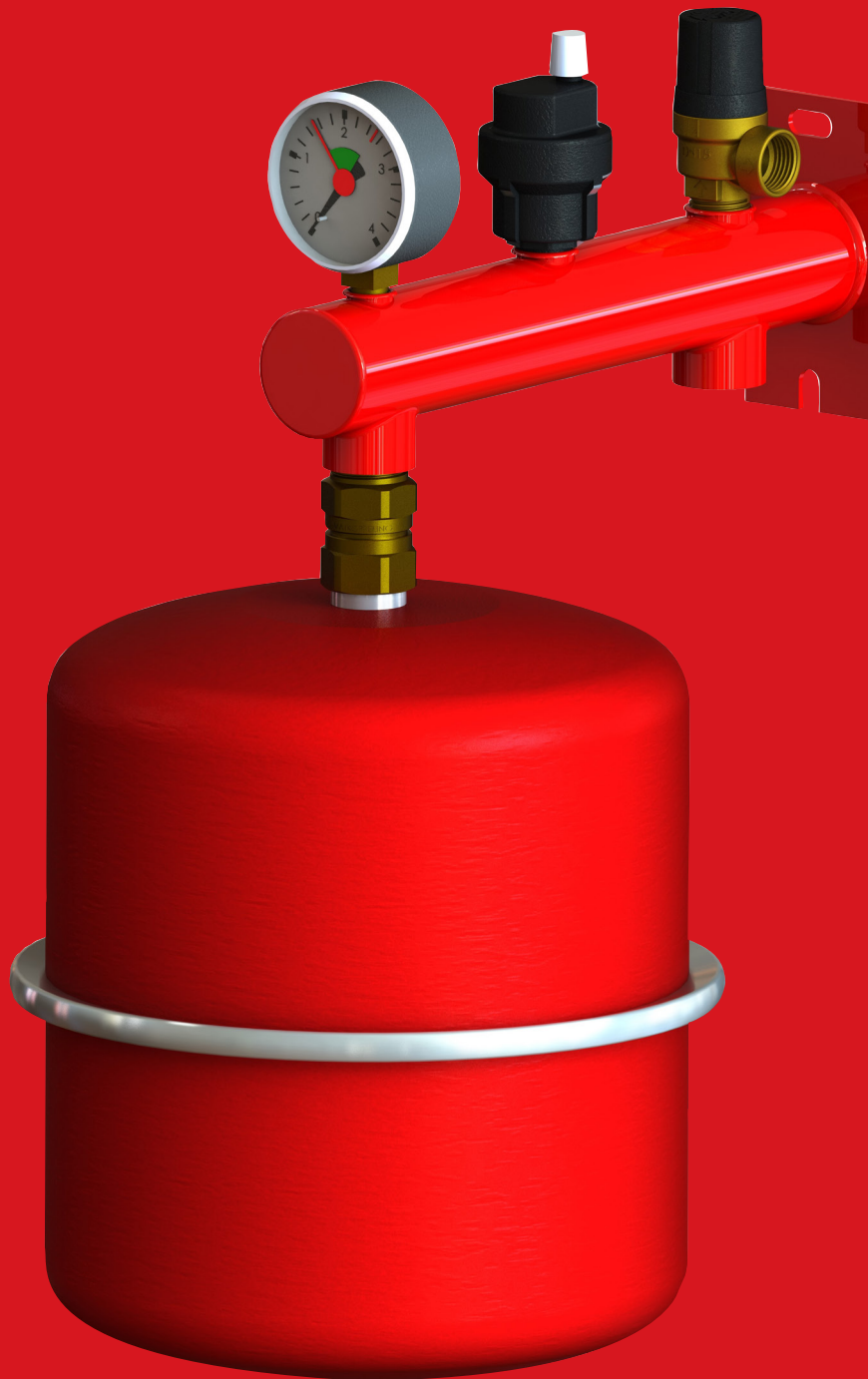


# Expansion Vessel Console Deluxe



**PUCO**

# Expansion Vessel Console Deluxe

Steel coated console with wall plate to connect expansion vessels up to and including 25 litres to a wall.

The console consists of:

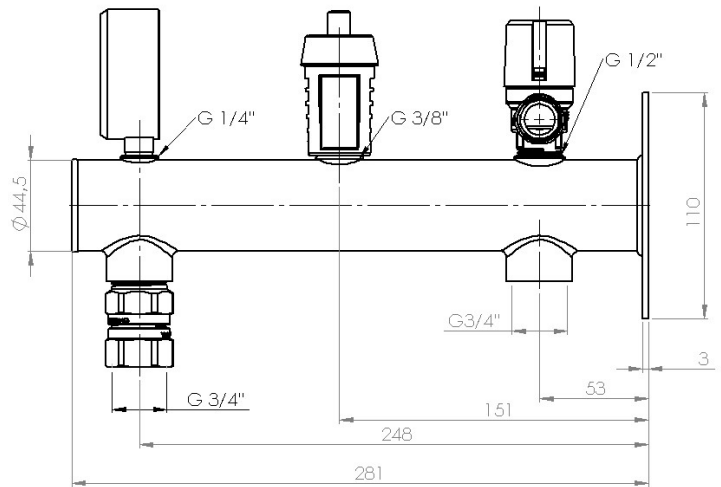
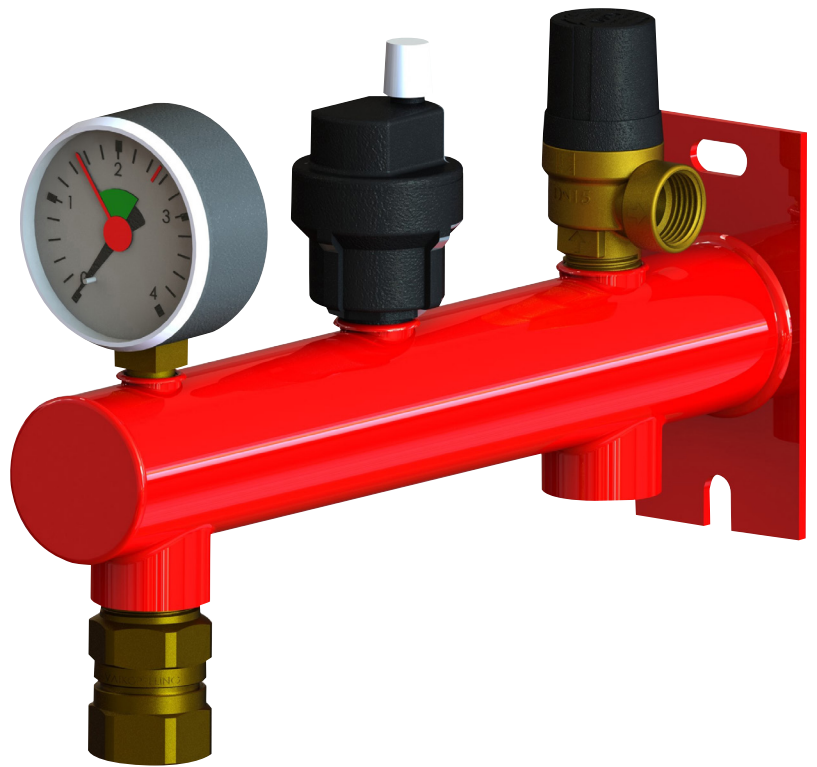
- 1/2" safety valve 3 bar
- 1/4" pressure gauge 0-4 bar
- 3/8" automatic airvent
- 3/4" quick release (EVC) coupling

\* It is also possible to order the console without above mentioned safety parts (article number 1476-6-71-01).

\* It is also possible to order the console with different valves and pressure (bar):

- 1/2" x 1/2" valve in 2,5 or 3 bar
- 1/2" x 3/4" valve in 2,5 or 3 bar

Colour: Red (RAL 3013)



**DUCOnsole Deluxe**

Article number

1476-6-72-01

1476-6-71-01 excl. appendages\*



# PUCO

PenTec bv  
Edisonweg 7  
3442 AC Woerden  
The Netherlands

Tel. +31 (0)182 503 100  
E-mail info@pentecbv.nl  
Internet www.duco.nl  
www.pentecbv.nl