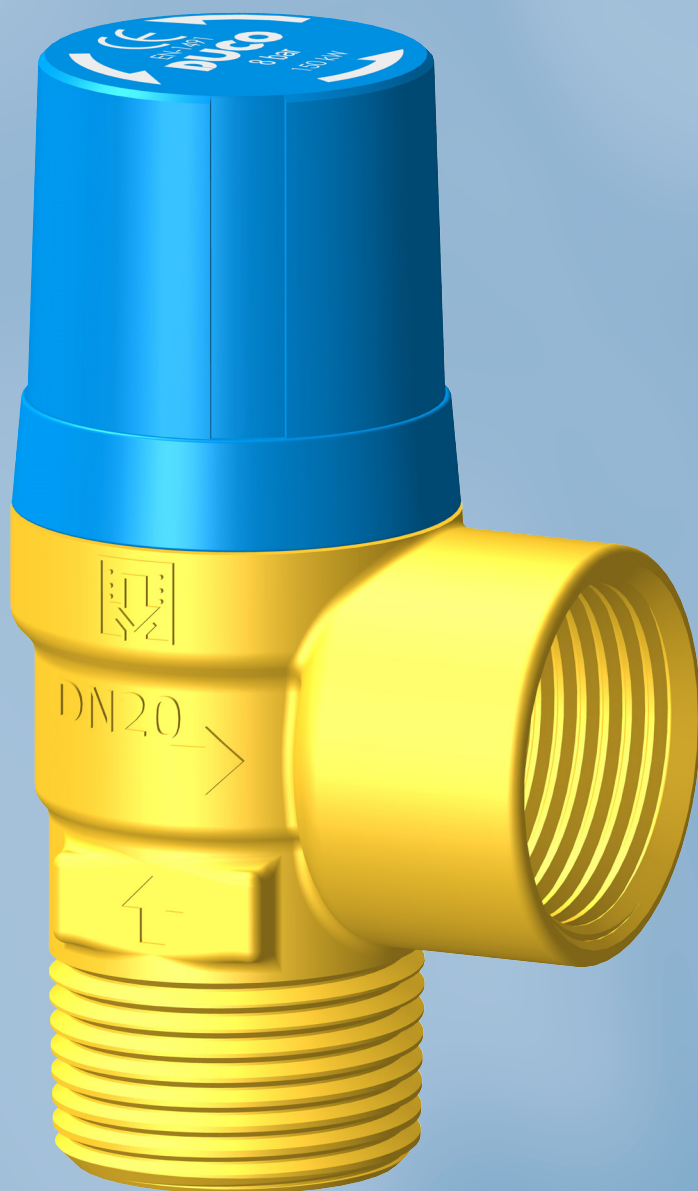


Boiler Safety Valves DN 20

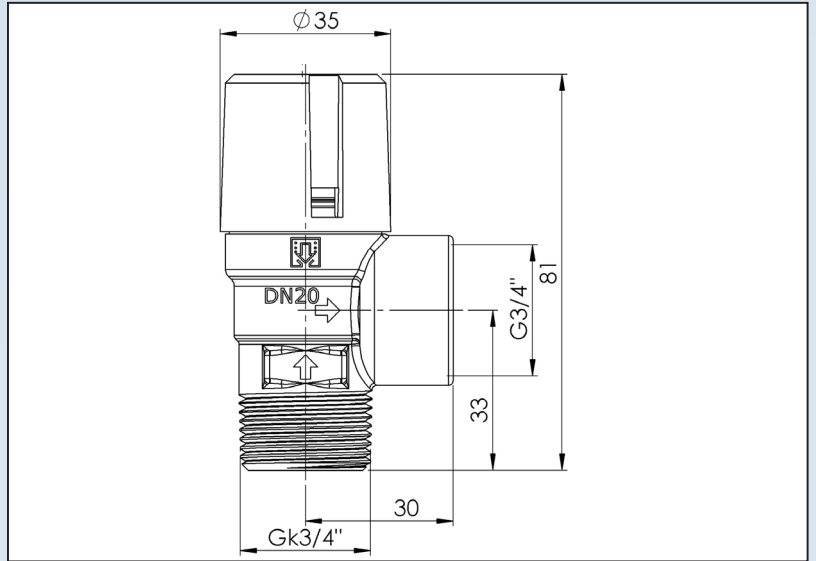
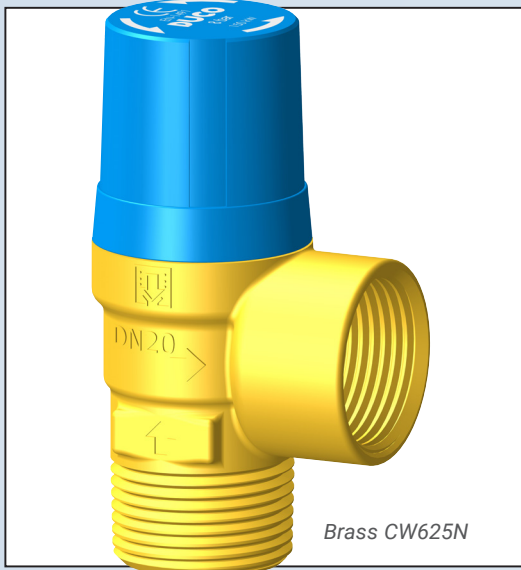


Brass CW625N



BOSS

Boiler Safety Valves 3/4" KEB



DUCO boiler valves to protect closed potable heated water systems against excessive pressure.

Application

The boiler valve has to be used in a closed drinking water system.

Only use the valve in a dry and frostfree location.

Min/Max. system temp. 0°C / + 95°C

Safety

Check whether the max. capacity and the opening pressure that are indicated on the valve match the values of the system.



All Duco safety valves meet the requirements of the Pressure Equipment Directive (PED) "Directive 2014/68/EU Module B/Module D" The quality system also complies with the NEN-EN-ISO 9001

NORM: NEN-EN 1491

Code

Code	Set pressure (bar)	Heating capacity (kW)
1135-0-36-11	6	75
1135-0-38-11	8	75
1135-0-40-11	10	75

PenTec bv
Edisonweg 7
3442 AC Woerden
The Netherlands

Tel. +31 (0)182 503 100
E-mail info@pentecbv.nl
Internet www.duco.nl
www.pentecbv.nl

