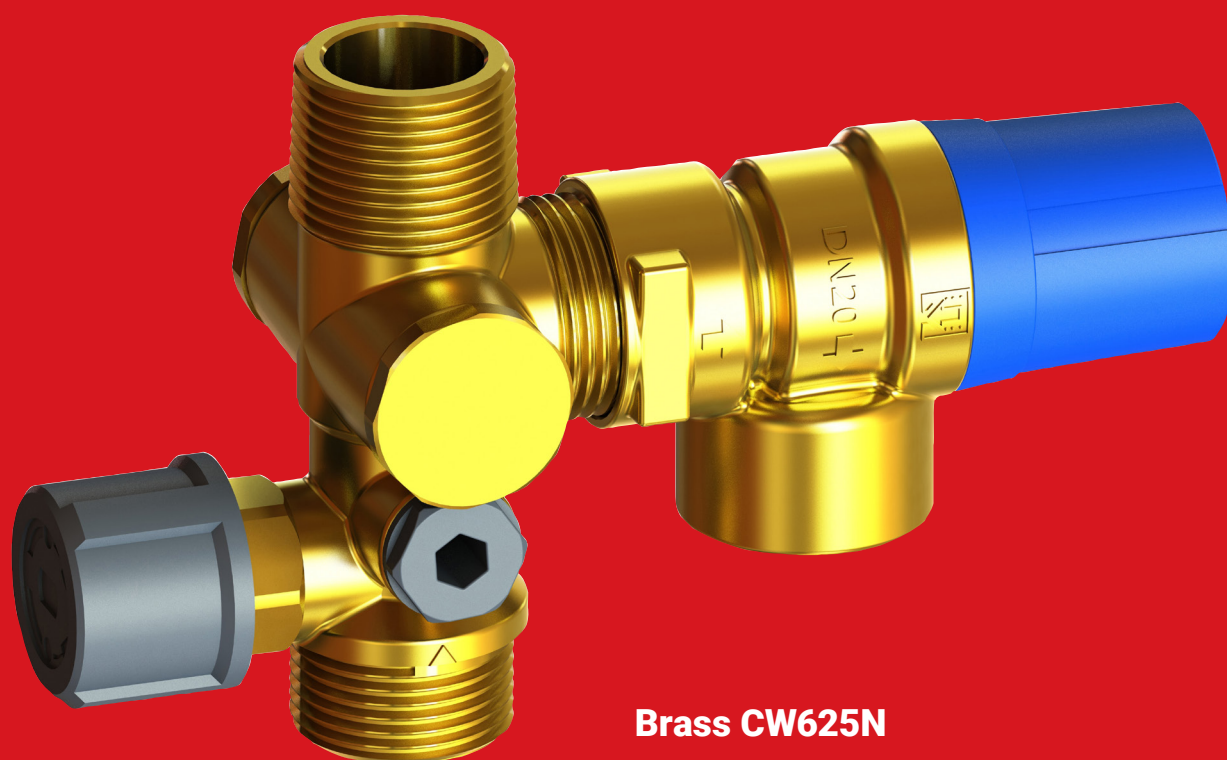


Baugruppe VR 3/4" EN1717



Brass CW625N

DUCO

Baugruppe VR 3/4" EN1717 (6-8-10 bar)

The Baugruppe is installed in connection with domestic water heaters (fired by electric, gas or oil) and must be fitted to the cold water inlet. The Baugruppe can be mounted vertically or at a right angle (by swapping the ③ safety valve).

The Boiler Safety Unit consists of a:

- ① shut-off valve (for closing the cold water inlet)
- ② built-in check valve (prevents recirculation of warm water into the cold water inlet)
- ③ safety valve 3/4" (valve outlet must always point downward)
- ④ arrow flow indication
- ⑤ test plug

Continuous operating temperature max. 65°C/peak load max. 90°C (1 hour). Max. cap. 2.460 l/h at 1 bar (100kPa) differential pressure.

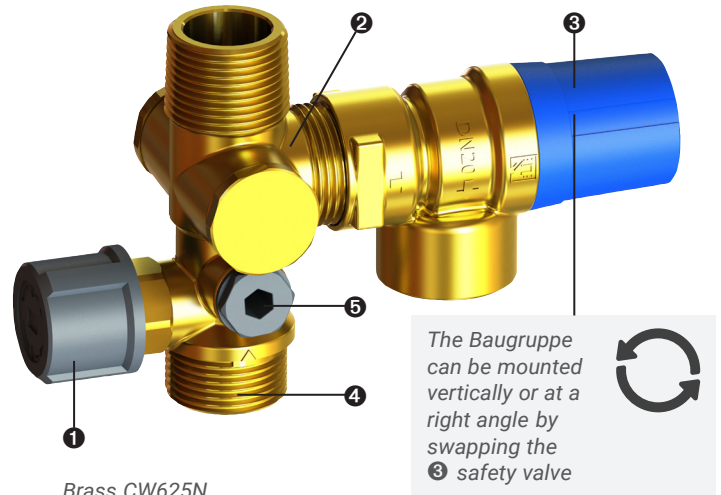
Before installing the Baugruppe please check our installation instructions.

Safety

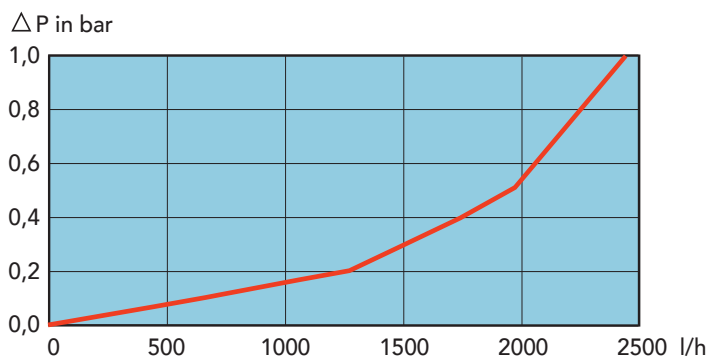
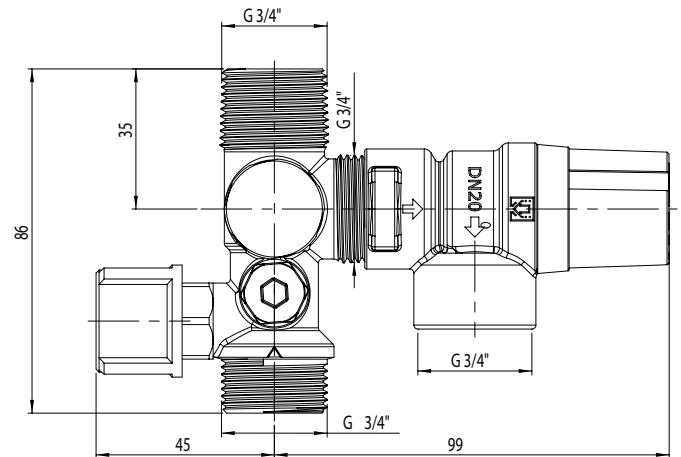
Check whether the max. capacity and the opening pressure that are indicated on the valve match the values of the system.

Norm:

- NEN-EN 1491 (safety valve)
- NEN-EN 1717 (test plug)
- NEN-EN 13959 (check valve)



Brass CW625N



Baugruppe VR 3/4" EN1717

Article number	Set pressure bar	Max. capacity water heater kW
1211-0-06-01	6	150
1211-0-08-01	8	150
1211-0-10-01	10	150



PUCO

PenTec bv
Edisonweg 7
3442 AC Woerden
The Netherlands

Tel. +31 (0)182 503 100
E-mail info@pentecbv.nl
Internet www.duco.nl
www.pentecbv.nl